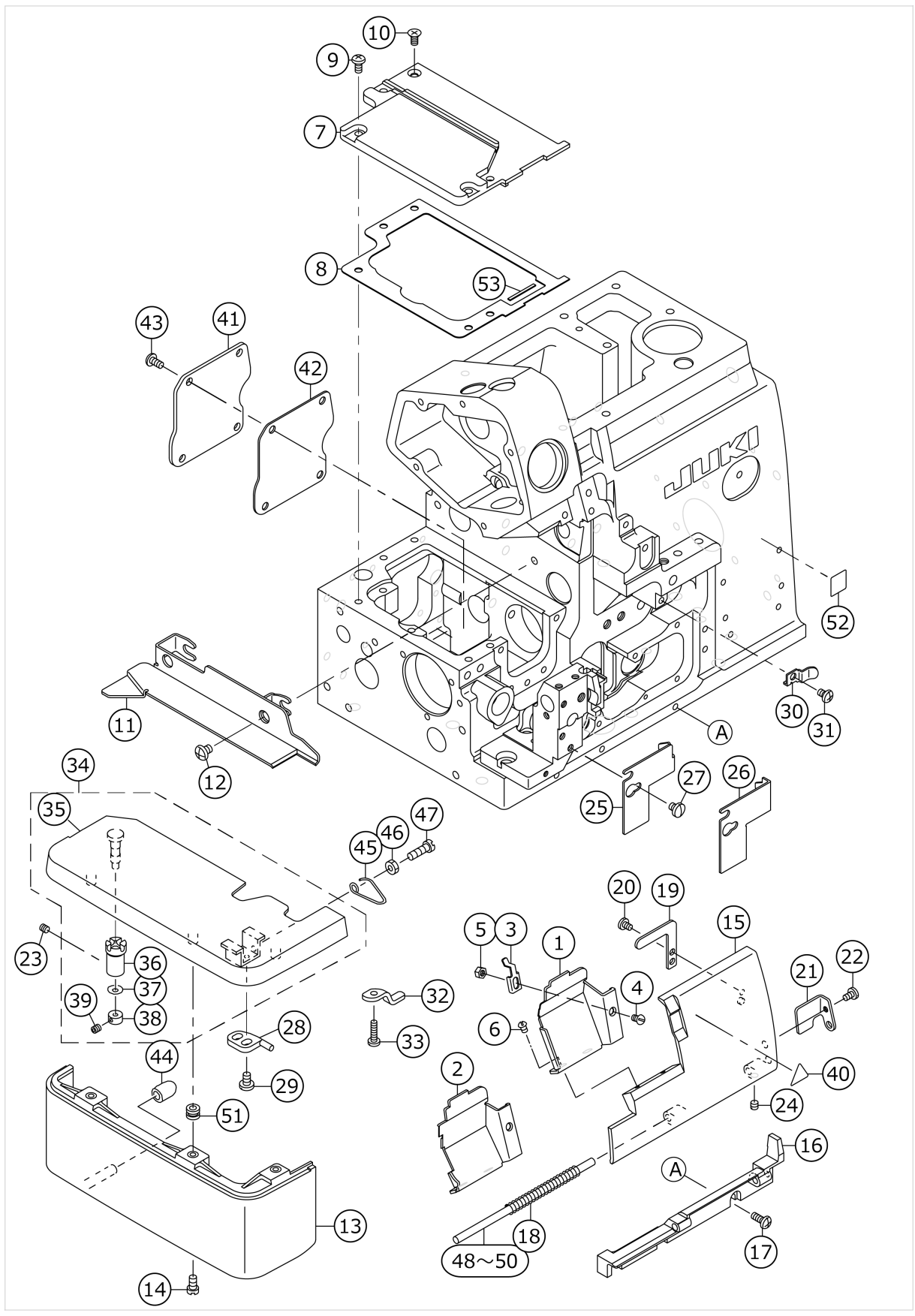


MO-6904R-0E4/MO-6914R-BE6/MO-6916R-DE4

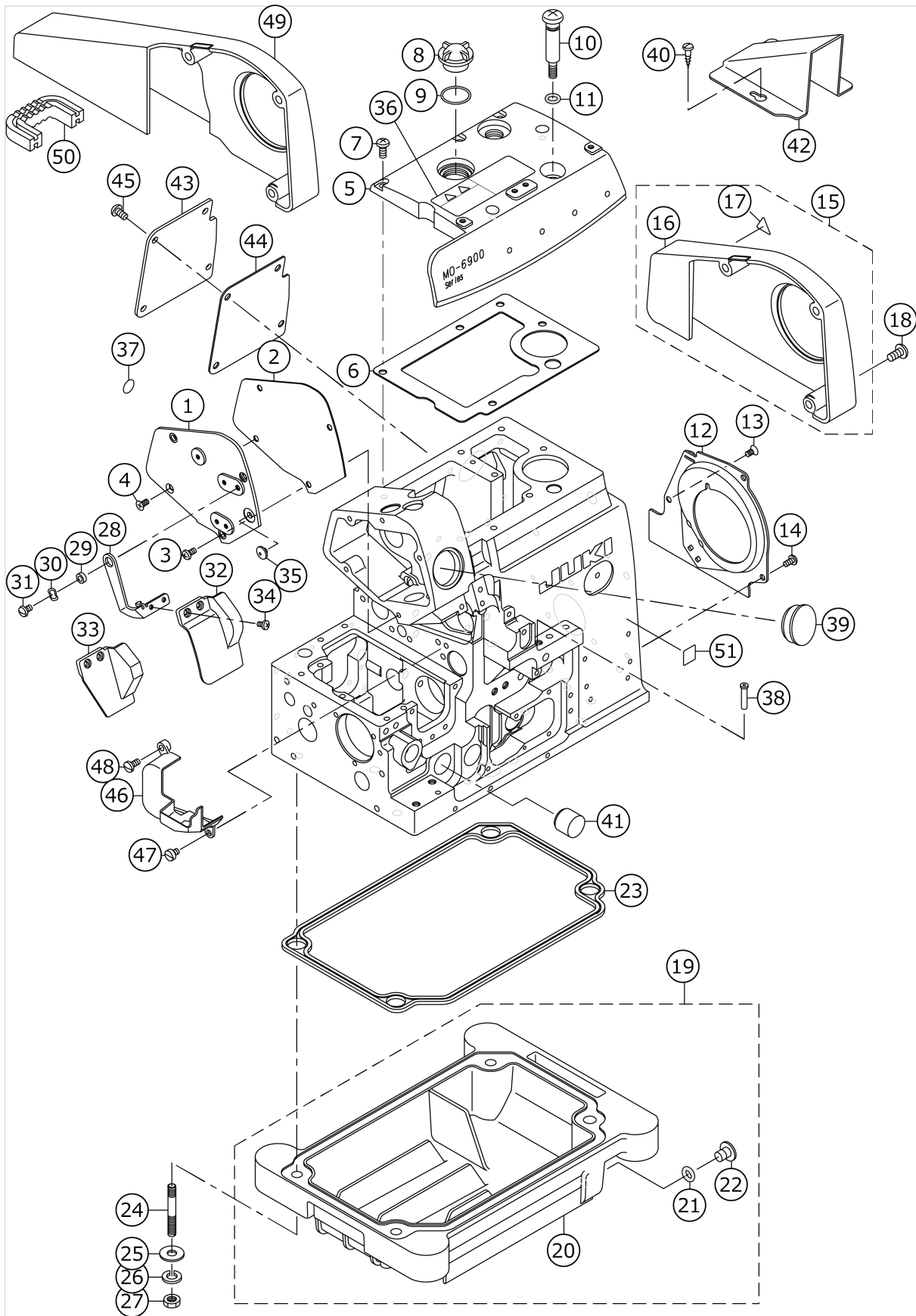
MISCELLANEOUS COVER COMPONENTS (1)



No.	品番	品名	備考	子部品	消耗品	個数
1	13104104	CLOTH WASTE COVER	FOR MO-6904R,MO-6914R			1.00
2	13104203	CLOTH WASTE COVER	FOR MO-6916R			1.00
3	13102405	CROTH WASTE COVER STOPPER				1.00
4	SS2090520SL	SCREW 9/64-40 L=5				1.00
5	NS6090310SN	NUT 9/64-40				1.00
6	SS3090610SP	SCREW 9/64-40 L=6				2.00
7	13200704	FEED MECHANISM COVER				1.00
8	13200803	FEED MECHANISM COVER GASKET				1.00
9	SM4040855SP	SCREW				4.00
10	SM1040801SC	SCREW M4X0.7 L=8				1.00
11	12300356	CLOTH PLATE SIDE COVER ASM.				1.00
12	SS4120615SP	SCREW 3/16-28 L=6				2.00
13	13103809	CLOTH BASE COVER				1.00
14	SS4091015SP	SCREW 9/64-40 L=10				2.00
15	13100904	LOOPER COVER				1.00
16	13100805	LOOPER COVER BRACKET				1.00
17	SM4041055SP	SCREW M4 L=10				3.00
18	13101209	LOOPER COVER SPRING				1.00
19	13101407	LOOPER COVER PRESSER PLATE				1.00
20	SS7090530SP	SCREW 9/64-40 L=4.5				1.00
21	13101001	LOOPER COVER GUIDE PLATE				1.00
22	SS7090610SP	SCREW 9/64-40 L=6				1.00
23	SS8110410TP	SCREW 11/64-40 L=3.5				1.00
24	SS8110410TP	SCREW 11/64-40 L=3.5				1.00
25	13101506	CLOTH WASTE COVER LEFT	FOR MO-6904R,MO-6914R			1.00
26	13101605	CLOTH WASTE COVER LEFT	FOR MO-6916R			1.00
27	SS7110510SP	SCREW 11/64-40 L=5				2.00
28	13101704	CLOTH BASE SWITCH-TYPE STOPPER				1.00
29	SS7110710SP	SCREW 11/64-40 L=7				2.00
30	13101308	LOOPER COVER PRESSER SPRING				1.00
31	SM4040655SP	SCREW M4 L=6				1.00
32	13101803	CROTH BASE SUPPORT PLATE				1.00
33	SS7091410SP	SCREW 9/64-40 L=13.5				1.00
34	13103650	CLOTH BASE Cmpl.				1.00
35	13102058	CLOTH BASE ASM.		*		1.00
36	13101902	CLOTH BASE ECCENTRIC BUSHING		*		1.00
37	WZ0420350KP	DISC SPRING		*		1.00
38	13172903	CLOTH BASE HINGE SHAFT COLLAR		*		1.00
39	SM8040302TP	SETSCREW		*		1.00
40	CM300200001	ATTENTION SEAL				1.00
41	40102307	ADJUSTING_HOLE_COVER				1.00
42	13201603	ADJUSTING HOLE COVER GASKET				1.00
43	SM4040855SP	SCREW				4.00
44	13104302	CLOTH BASE COVER RUBBER PLUG				1.00
45	13102207	CLOTH BASE SWITCH-TYPE SPRING				1.00
46	NS6110420SP	NUT 11/64-40				1.00
47	SS6111440SP	SCREW 11/64-40 L=14.0				1.00
48	13240007	LOOPER COVER HINGE SHAFT A	SELECTIVE PARTS			1.00

49	13240106	LOOPER COVER HINGE SHAFT B	SELECTIVE PARTS			1.00
50	13240205	LOOPER COVER HINGE SHAFT C	SELECTIVE PARTS			1.00
51	13103700	CLOTH BASE COVER BUSHING				3.00
52	40150131	EAC_MARK_LABEL_S	FOR JE			1.00
53	70004856	FEED_MECHANISM_COVER_SMALL_GASKET				1.00

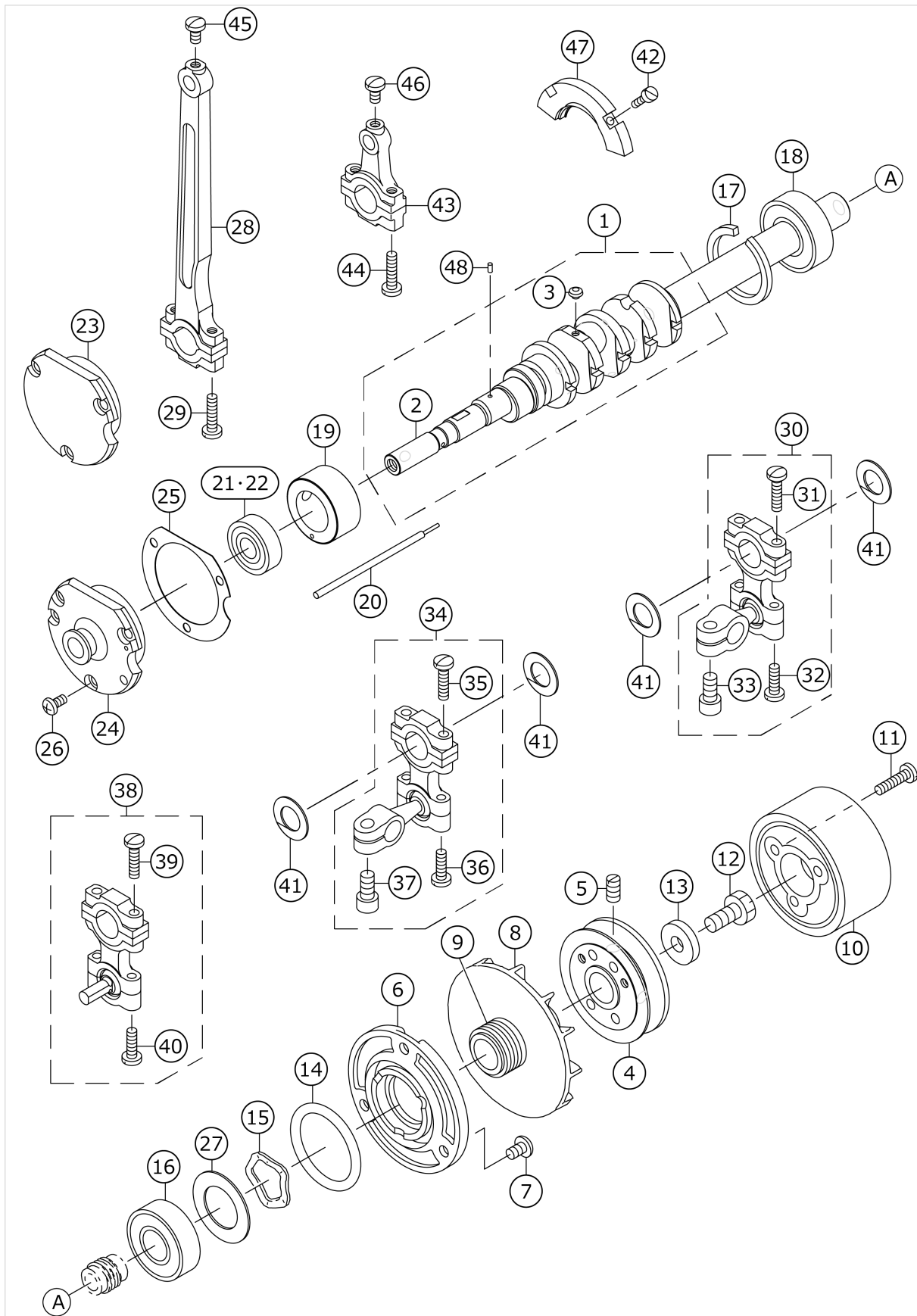
MISCELLANEOUS COVER COMPONENTS (2)



No.	品番	品名	備考	子部品	消耗品	個数
1	13200209	SIDE COVER				1.00
2	13200308	SIDE COVER GASKET				1.00
3	SM4040855SP	SCREW				3.00
4	SM1040801SC	SCREW M4X0.7 L=8				1.00
5	13200407	UPPER COVER				1.00
6	13200605	UPPER COVER GASKET				1.00
7	SM4051255SP	SCREW M5 L=12				5.00
8	22924708	OIL SIGHT WINDOW				1.00
9	13170006	RUBBER RING				1.00
10	13104500	OIL DRAIN SCREW				1.00
11	13170204	RUBBER RING				1.00
12	13201009	COOLING FAN PLATE				1.00
13	SM1040801SC	SCREW M4X0.7 L=8				1.00
14	SM4040855SP	SCREW				2.00
15	13201454	BELT COVER ASM.	VARIOUS NOS.FO R DESTINATIONS			1.00
16	13201405	BELT COVER		*		1.00
17	CM300200001	ATTENTION SEAL		*		1.00
18	SS4151215SP	SCREW 15/64-28 L=12				3.00
19	13102553	OIL RESERVOIR ASM.				1.00
20	13102504	OIL RESERVOIR		*		1.00
21	13170105	RUBBER RING		*		1.00
22	13171004	DRAIN SCREW		*		1.00
23	13102603	OIL RESERVOIR GASKET				1.00
24	13103908	SCREW STUD				4.00
25	WP0751576SD	WASHER 7.5X19X1.5				4.00
26	WS0822010KP	SPRING WASHER 8.2X15X2				4.00
27	NS6680410SP	NUT 9/32-28				4.00
28	13201108	SAFETY PLATE BRACKET				1.00
29	13104807	SAFETY PLATE BRACKET COLLAR				1.00
30	WZ0850302K0	WAVED WASHER 8.5X12.5X0.3				1.00
31	SS5110710SP	SCREW 11/64-40 L=7				1.00
32	13201306	SAFETY PLATE	FOR MO-6916R			1.00
33	13201207	SAFETY PLATE	FOR MO-6904R,MO-6914R			1.00
34	SS7090611SL	SCREW 9/64-40 L=6.1				2.00
35	13204003	SAFETY PLATE BUSH				1.00
36	CM301300001	SAFETY LABEL				1.00
37	22901805	GROUND MARK				1.00
38	13102900	THREAD GUIDE LARGE				2.00
39	10753309	WINDOW PLATE RUBBER PLUG				1.00
40	SK3412001SE	WOOD SCREW D=4.1 L=20				2.00
41	TA1871602R0	RUBBER PLUG	FOR MO-6904R,MO-6914R			1.00
42	13160700	BELT COVER (B)				1.00
43	13270400	REAR COVER				1.00
44	13270509	REAR COVER GASKET				1.00
45	SM4051055SP	SCREW				4.00
46	31200504	UPPER FEED COVER				1.00
47	SS6110610TP	SCREW 11/64-40 L=6				1.00

48	SS7110910TP	SCREW 11/64-40 L=8.5			1.00
49	40037392	BELT COVER C	VARIOUS NOS.FO R DESTINATIONS		1.00
50	40040065	VIBRATION PROOF RUBBER	VARIOUS NOS.FO R DESTINATIONS		1.00
51	CM600100101	WEEE MARK LABEL S	FOR JE		1.00

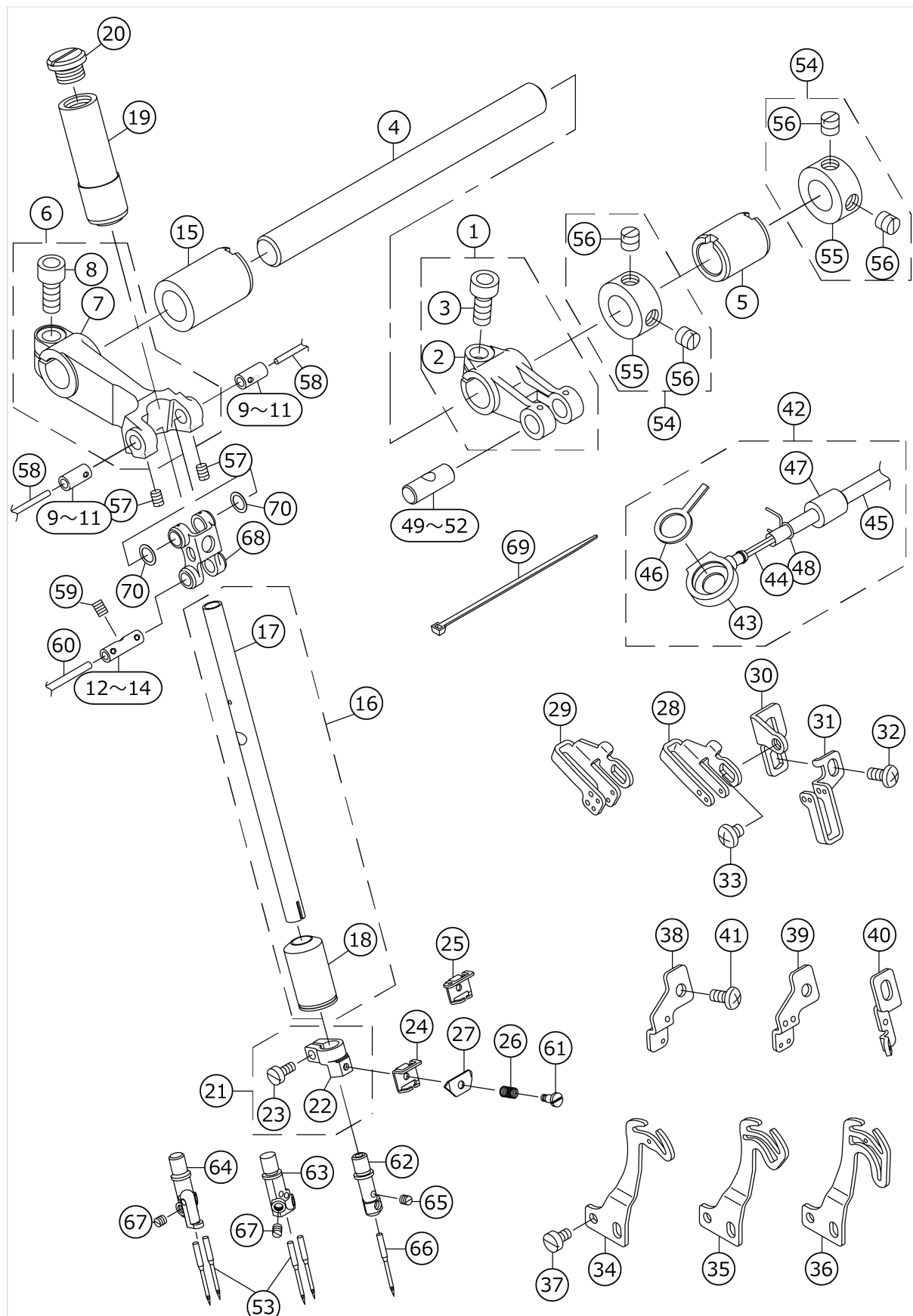
CRANKSHAFT COMPONENTS



No.	品番	品名	備考	子部品	消耗品	個数
1	40023235	MAIN SHAFT ASM.				1.00
2	40023234	MAIN SHAFT (300)		*		1.00
3	SS5080212TP	SCREW 1/8-44 L=2		*		5.00
4	13107602	HANDWHEEL (A)				1.00
5	SS8151150TP	SCREW 15/64-28 L=10.5				2.00
6	12271706	THRUST HOLDER				1.00
7	SM4050855SP	SCREW M5 L=8				3.00
8	13108402	COOLING FAN				1.00
9	12280103	OIL SHIELD				1.00
10	13107701	HANDWHEEL				1.00
11	SS7111810TP	SCREW 11/64-40 L=18				3.00
12	SS9681610TP	SCREW 9/32-28 L=16				1.00
13	WP0764016SP	WASHER				1.00
14	13170303	RUBBER RING				1.00
15	WZ2640310KH	WAVED WASHER 26.4X33.9X3.5				1.00
16	B1211804000	BALL BEARING B				1.00
17	B1212704000	BEARING RETAINER				1.00
18	B1211804000	BALL BEARING B				1.00
19	13205406	CRANKSHAFT BUSHING C				1.00
20	13104906	OIL ADJUSTING BAR				1.00
21	B1215804000	BALL BEARING D	FOR MO-6904R,MO-6914R			1.00
22	SB110000300	BALL BEARING	FOR MO-6916R			1.00
23	12343406	CRANKSHAFT BUSHING D	FOR MO-6904R,MO-6914R			1.00
24	13108105	CRANKSHAFT BUSHING D	FOR MO-6916R			1.00
25	12108403	CRANKSHAFT BUSHING D GASKET				1.00
26	SM4040855SP	SCREW				3.00
27	13108303	BEARING HOLDING PLATE				1.00
28	12109104	CONNECTING ROD				1.00
29	SS7111810TP	SCREW 11/64-40 L=18				2.00
30	12122362	UPPER LOOPER ROD ASM.				1.00
31	SS7111810TP	SCREW 11/64-40 L=18		*		2.00
32	SS7111410TP	SCREW 11/64-40 L=14		*		2.00
33	SM6061202TP	SCREW M6 L=12		*		1.00
34	12123360	LOWER LOOPER ROD ASM. A	FOR MO-6904R,MO-6914R			1.00
35	SS7111810TP	SCREW 11/64-40 L=18		*		2.00
36	SS7111410TP	SCREW 11/64-40 L=14		*		2.00
37	SM6061202TP	SCREW M6 L=12		*		1.00
38	12120150	LOWER LOOPER ROD ASM. B	FOR MO-6916R			1.00
39	SS7111810TP	SCREW 11/64-40 L=18		*		2.00
40	SS7111410TP	SCREW 11/64-40 L=14		*		2.00
41	40017824	LOOPER LOD STOPPER				4.00
42	SS6081210TP	SCREW 1/8-44 L=12				2.00
43	12132106	KNIFE DRIVING ROD				1.00
44	SS7111810TP	SCREW 11/64-40 L=18				2.00
45	SS7110840SP	SCREW 11/64-40 L=7.8				1.00
46	SS7110840SP	SCREW 11/64-40 L=7.8				1.00
47	40017714	BALANCER				1.00

48	40035711	OIL WICK				1.00
----	----------	----------	--	--	--	------

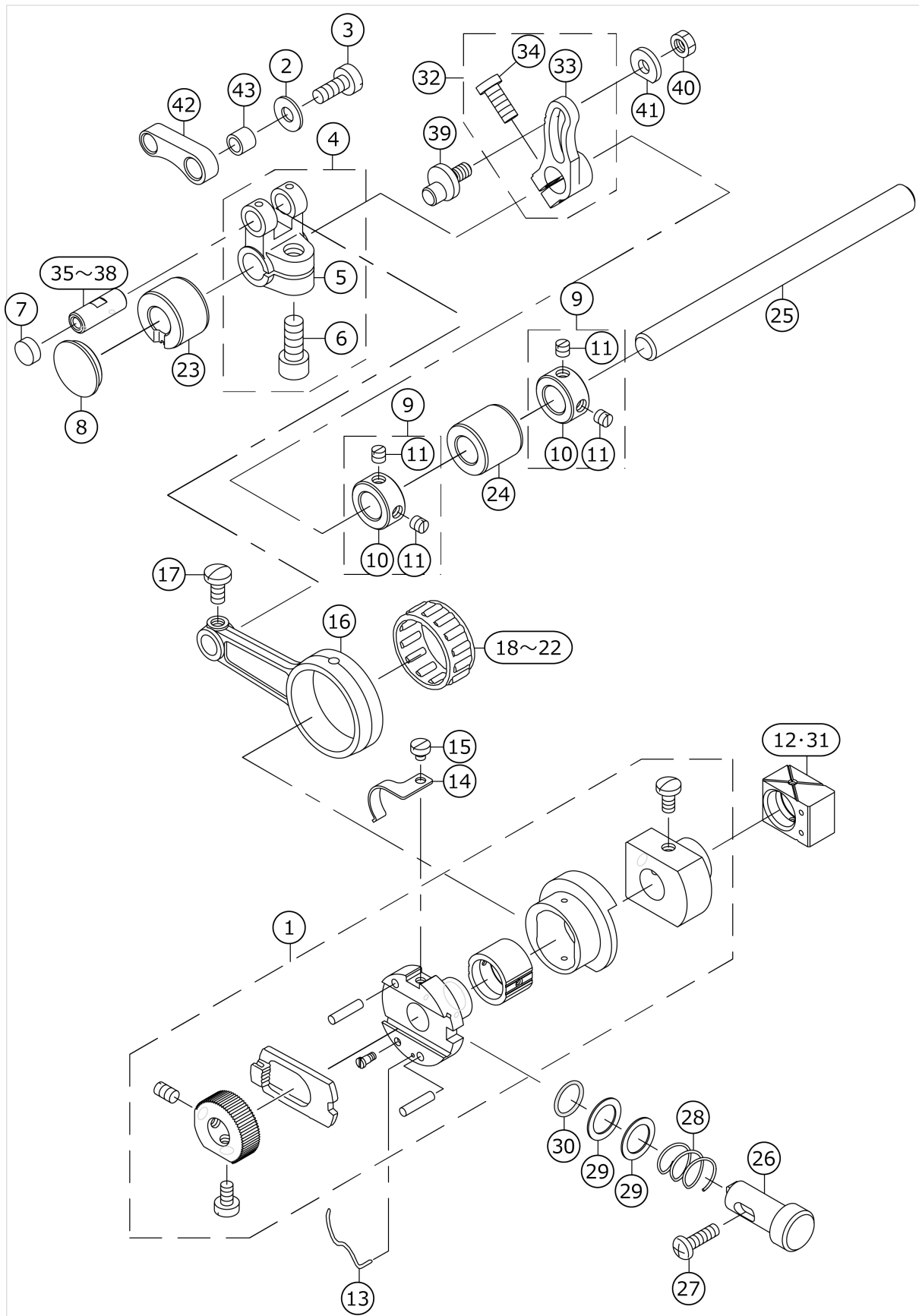
NEEDLE DRIVING SHAFT COMPONENTS



No.	品番	品名	備考	子部品	消耗品	個数
1	12280756	FEED FORKED CRANK ASM.				1.00
2	12280707	FEED FORKED CRANK		*		1.00
3	SM6061402TP	SCREW M6 L=14		*		1.00
4	13110606	NEEDLE DRIVING SHAFT				1.00
5	13110101	BUSHING REAR				1.00
6	13209853	NEEDLE DRIVING ARM ASM.				1.00
7	13209804	NEEDLE DRIVING ARM		*		1.00
8	SM6061402TP	SCREW M6 L=14		*		1.00
9	13209101	NEEDLE DRIVING ARM PIN A	SELECTIVE PARTS			2.00
10	13209200	NEEDLE DRIVING ARM PIN B	SELECTIVE PARTS			2.00
11	13209309	NEEDLE DRIVING ARM PIN C	SELECTIVE PARTS			2.00
12	13209408	NEEDLE DRIVING PIN A	SELECTIVE PARTS			1.00
13	13209507	NEEDLE DRIVING PIN B	SELECTIVE PARTS			1.00
14	13209606	NEEDLE DRIVING PIN C	SELECTIVE PARTS			1.00
15	13110002	BUSHING REAR				1.00
16	13208350	NEEDLE ROD (A) ASM.				1.00
17	13208301	NEEDLE ROD (A)		*		1.00
18	13207709	NEEDLE ROD BUSHING LOWER		*		1.00
19	13209705	NEEDLE ROD BUSHING UPPER				1.00
20	13207808	NEEDLE ROD BUSHING CAP SCREW				1.00
21	13110259	NEEDLE CLAMP HOLDER ASM.				1.00
22	13110200	NEEDLE CLAMP HOLDER		*		1.00
23	SS6080720SP	SCREW 1/8-44 L=7		*		1.00
24	12280905	NEEDLE THREAD PRESSER GUIDE A	FOR MO-6904R,MO-6914R			1.00
25	12281002	NEEDLE THREAD PRESSER GUIDE B	FOR MO-6916R			1.00
26	13110903	NEEDLE THREAD PRESSER SPRING				1.00
27	13111000	NEEDLE THREAD PRESSER PLATE A				1.00
28	13208806	NEEDLE THREAD GUIDE	FOR MO-6904R,MO-6916R			1.00
29	13208905	THREAD GUIDE 2-NEEDLE	FOR MO-6914R			1.00
30	13208707	NEEDLE THREAD GUIDE BASE				1.00
31	13111109	THREAD GUIDE CHAIN LOOPER	FOR MO-6916R			1.00
32	SM4040855SP	SCREW				2.00
33	SS4110515SP	SCREW 11/64-40 L=5				1.00
34	31202609	NEEDLE THREAD TAKE-UP LEVER	FOR MO-6904R			1.00
35	31202708	TAKE-UP LEVER 2-NEEDLE	FOR MO-6914R			1.00
36	31202807	TAKE-UP LEVER CHAIN LOOP	FOR MO-6916R			1.00
37	SS6090670TP	SCREW 9/64-40 L=6				2.00
38	13111505	NEEDLE THREAD BALANCE GUIDE	FOR MO-6904R,MO-6916R			1.00
39	13111604	LEVER GUIDE	FOR MO-6914R			1.00
40	13111703	TAKE-UP LEVER GUIDE CHAIN LOOP	FOR MO-6916R			1.00
41	SM4040855SP	SCREW				1.00

42	13272554	ONCE THROUGH OIL PIPE ASM.				1.00
43	13272505	ONCE THROUGH OIL COVER		*		1.00
44	CQ200000000	OIL WICK		*		0.68
45	23630007	TUBE		*		0.34
46	13208608	ONCE THROUGH OIL FELT		*		1.00
47	13244009	ONCE THROUGH OIL PIPE BUSHING		*		1.00
48	13142609	OIL TUBE HOLDER		*		1.00
49	13122007	FEED BRANCH CRANK PIN A	SELECTIVE PARTS			1.00
50	13122106	FEED BRANCH CRANK PIN B	SELECTIVE PARTS			1.00
51	13122205	FEED BRANCH CRANK PIN C	SELECTIVE PARTS			1.00
52	13122304	FEED BRANCH CRANK PIN D	SELECTIVE PARTS			1.00
53	MDC270B1100	NEEDLE DCX27 #11	FOR MO-6914R,MO-6916R			2.00
54	13172754	THRUST COLLAR ASM.				2.00
55	13172705	THRUST COLLAR		*		1.00
56	SS8660610TP	SCREW 1/4-40 L=6		*		2.00
57	SS8090530TP	SCREW 9/64-40 L=5.0				2.00
58	CQ202000000	OIL WICK				0.09
59	SS8090530TP	SCREW 9/64-40 L=5.0				1.00
60	CQ252000000	OIL WICK				0.04
61	SD0280401SL	HINGE SCREW D=2.8 H=4				1.00
62	40010885	NEEDLE CLAMP	FOR MO-6904R			1.00
63	13175203	NEEDLE CLAMP 2-NEEDLE	FOR MO-6914R			1.00
64	12257002	CHAIN LOOPER NEEDLE CLAMP DEA	FOR MO-6916R			1.00
65	SS8080310TP	SCREW 1/8-44 L=2.8	FOR MO-6904R			1.00
66	MDC270B1100	NEEDLE DCX27 #11	FOR MO-6904R			1.00
67	SS8080310TP	SCREW 1/8-44 L=2.8	FOR MO-6914R,MO-6916R			2.00
68	13208004	NEEDLE DRIVING LINK				1.00
69	EA9500B0100	CABLE BAND				1.00
70	13208103	NEEDLE DRIVING LINK WASHER				2.00

FEED MECHANISM COMPONENTS (1)



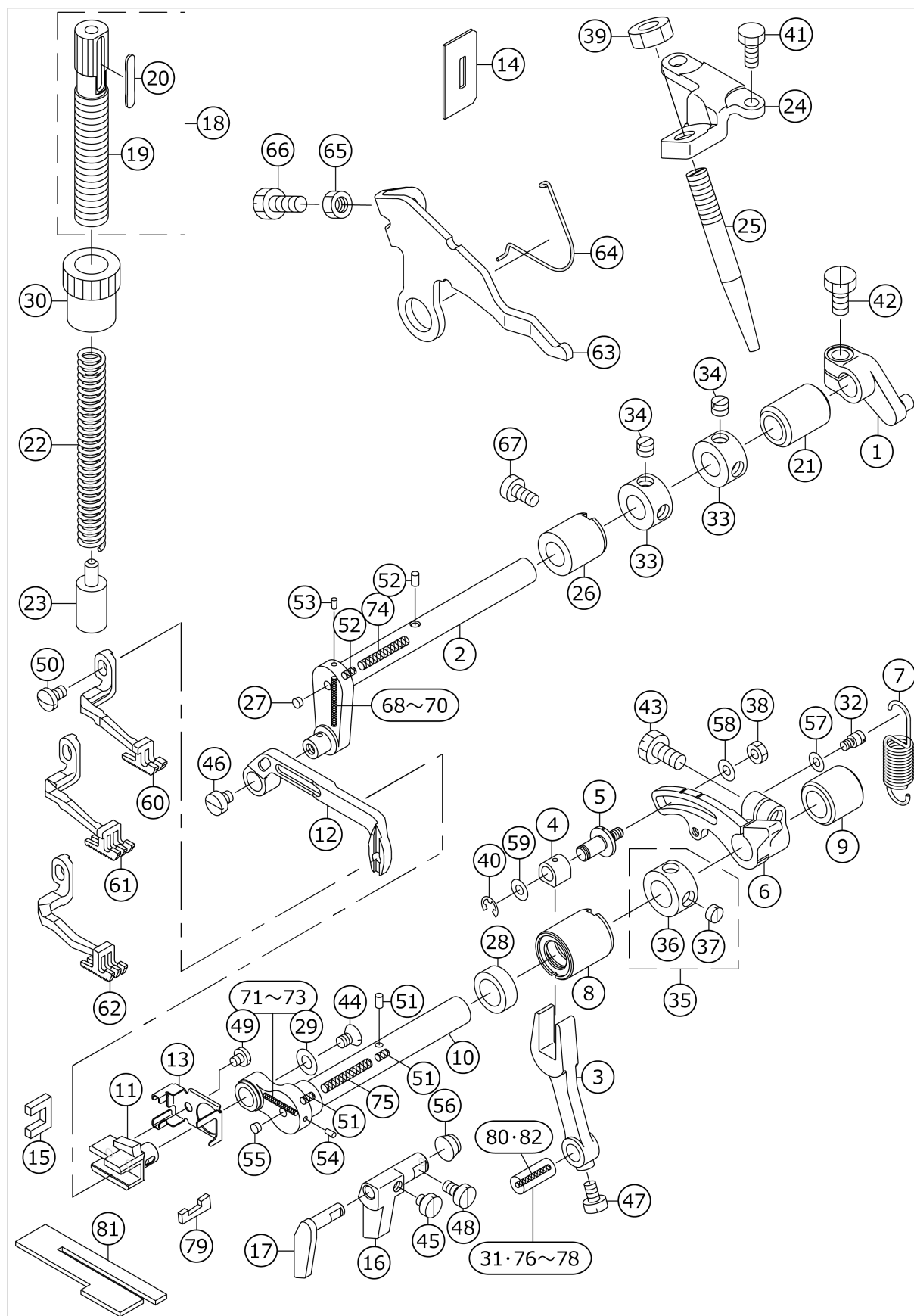
No.	品番	品名	備考	子部品	消耗品	個数
1	13118054	FEED ECCENTRIC BODY ASM.				1.00
2	13120605	WASHER				1.00
3	SS6121220TP	SCREW 3/16-28 L=11.5				1.00
4	13122452	FEED BRANCH CRANK ASM.				1.00
5	13122403	FEED BRANCH CRANK		*		1.00
6	SM6061402TP	SCREW M6 L=14		*		1.00
7	TA1030402R0	RUBBER PLUG D=10.3 L=4				1.00
8	TA2050416R0	RUBBER PLUG				1.00
9	13172556	FEED SHAFT THRUST COLLAR ASM.				2.00
10	13172507	FEED SHAFT THRUST COLLAR		*		1.00
11	SS8110410TP	SCREW 11/64-40 L=3.5		*		2.00
12	13217807	SLIDE BLOCK A	SELECTIVE PARTS			1.00
13	B1606704000	RATCHET PAWL SPRING				1.00
14	13119300	RATCHET GEAR SPRING				1.00
15	SS6080320SP	SCREW 1/8-44 L=2.5				1.00
16	12282604	CRANK ROD				1.00
17	SS7110910TP	SCREW 11/64-40 L=8.5				1.00
18	12116604	NEEDLE BEARING	SELECTIVE PARTS			1.00
19	12116703	NEEDLE BEARING B	SELECTIVE PARTS			1.00
20	12116802	NEEDLE BEARING C	SELECTIVE PARTS			1.00
21	12116901	NEEDLE BEARING D	SELECTIVE PARTS			1.00
22	12117008	NEEDLE BEARING E	SELECTIVE PARTS			1.00
23	13119409	FEED SHAFT METAL FRONT				1.00
24	13119508	FEED SHAFT METAL REAR				1.00
25	12283008	FEED SHAFT				1.00
26	70005081	PUSH BUTTON SHAFT				1.00
27	SM4041455SN	SCREW M4 L=14				1.00
28	13216601	PUSH BUTTON SPRING				1.00
29	13216700	PUSH BUTTON SHAFT WASHER				2.00
30	13244108	RUBBER RING				1.00
31	13217906	SLIDE BLOCK B	SELECTIVE PARTS			1.00
32	11824075	MAIN FEED ARM ASM.				1.00
33	13119904	MAIN FEED ARM		*		1.00
34	SM6051202TP	SCREW M5X0.8 L=12		*		1.00
35	B1612804A00	CRANK PIN (A)	SELECTIVE PARTS			1.00
36	B1612804B00	CRANK PIN (B)	SELECTIVE PARTS			1.00
37	B1612804C00	CRANK PIN C	SELECTIVE PARTS			1.00
38	B1612804D00	CRANK PIN (D)	SELECTIVE PARTS			1.00
39	13119706	MAIN FEED ARM PIN				1.00

40	NS6620320SP	NUT 3/16-32				1.00
41	13120001	WASHER B				1.00
42	13119805	MAIN FEED LINK				1.00
43	13120506	PIN COLLAR				1.00

No.	品番	品名	備考	子部品	消耗品	個数
1	13215157	FEED ROCKER ASM.				1.00
2	13215108	MAIN FEED BAR		*		1.00
3	13215207	DIFFERENTIAL FEED BAR		*		1.00
4	13215306	RUBBER CASE				1.00
5	13215405	RUBBER CASE GASKET				1.00
6	13215504	FEED BAR SUPPORT RIGHT				1.00
7	13215603	FEED BAR SUPPORT LEFT				1.00
8	SS6090620TP	SCREW				4.00
9	70004244	OIL SHIELD RUBBER				1.00
10	70004244	OIL_SHIELD_RUBBER				3.00
11	13215702	RUBBER HOLDING PLATE				1.00
12	SS7060310SP	SCREW 3/32-56 L=3				2.00
13	13215900	OIL SHIELD CASE				1.00
14	13216007	OIL SHIELD CASE GASKET				1.00
15	SM4040855SP	SCREW				1.00
16	SM4030455SP	SCREW				2.00
17	13215801	THROAT PLATE SUPPORT				1.00
18	13122700	ADJUSTING SHAFT METAL				1.00
19	13216106	OIL SHIECD PLATE				1.00
20	SS1060610SP	SCREW 3/32-56 L=5.5				2.00
21	13216205	FEED CAM OIL SHIECD PLATE				1.00
22	SM6040600SP	SCREW M4 L=6				2.00
23	13216304	OIL SHIECD PLATE				1.00
24	13122809	DIFFERENTIAL FEED GRADUATION				1.00
25	SM4051255SP	SCREW M5 L=12				2.00
26	13121405	ADJUSTING STOPPER				2.00
27	SS4090515SP	SCREW 9/64-40 L=5				2.00
28	WP0371016SD	WASHER 3.7X8X1				2.00
29	13120902	SUPPORT SHAFT				1.00
30	13121058	HRUST COLLAR ASM.				1.00
31	13121009	HRUST COLLAR		*		1.00
32	SS8660330SP	SCREW 1/4-40 L=3.0		*		1.00
33	13120803	SLIDE BLOCK				1.00
34	13170204	RUBBER RING				1.00
35	SM4040855SP	SCREW				1.00
36	13217708	DIFFERENTIAL FEED BLOCK				1.00
37	RE0300000K0	E-RING 3				1.00
38	13213012	ADJUSTING SCREW				1.00
39	13123302	DIFFERENTIAL FEED SCREW SPRING				1.00
40	13121306	ADJUSTING LINK				1.00
41	RE0500000K0	E-RING 5				1.00
42	13121256	SUPPORT SHAFT COLLAR ASM.				1.00
43	13121207	SUPPORT SHAFT COLLAR		*		1.00
44	SS8110410TP	SCREW 11/64-40 L=3.5		*		1.00
45	13121900	DIFFERENTIAL FEED ROCKER				1.00
46	SS6661110SP	SCREW 1/4-40 L=11				1.00
47	13217351	ROCKER SHAFT ASM.				1.00
48	13170501	RUBBER RING				1.00
49	13121603	ADJUSTING LEVER SPRING				1.00
50	13218052	DIFFERENTIAL FEED ARM ASM.				1.00

51	11825304	DIFFERENTIAL FEED PIN		*		1.00
52	11826401	DIFFERENTIAL FEED PIN COVER		*		1.00
53	SS6080410SP	SCREW 1/8-44 L=4		*		2.00
54	13218003	DIFFERENTIAL FEED ARM		*		1.00
55	SM6051202TP	SCREW M5X0.8 L=12		*		1.00
56	13218102	SLIDE BLOCK				1.00
57	13217401	DIFFERENTIAL FEED HINGE SCREW				1.00
58	13217500	DIFFERENTIAL FEED LOCK NUT				1.00
59	SD0720271SP	HINGE SCREW D=7.2 H=2.7				1.00
60	SM4041055SP	SCREW M4 L=10				4.00
61	WP0460556SD	WASHER 4.6X7.5X0.5				1.00
62	WP0480856SP	WASHER 4.8X8.4X0.8				4.00
63	WP0621016SD	WASHER 6.2X13X1				1.00
64	13191606	MAIN FEED DOG	FOR MO-6904R			1.00
65	13192000	MAIN FEED DOG	FOR MO-6914R			1.00
66	13192406	MAIN FEED DOG	FOR MO-6916R			1.00
67	13192802	DIFFERENTIAL FEED DOG	FOR MO-6904R			1.00
68	13193206	DIFFERENTIAL FEED DOG	FOR MO-6914R			1.00
69	13193602	DIFFERENTIAL FEED DOG	FOR MO-6916R			1.00
70	13191309	AUXILIARY FEED DOG	FOR MO-6904R,MO-6914R			1.00
71	13191408	AUXILIARY FEED DOG	FOR MO-6916R			1.00
72	SS4080620TP	SCREW 1/8-44 L=6				1.00
73	SS9111010SP	SCREW 11/64-40 L=9.5				1.00
74	SS9111050SP	SCREW 11/64-40 L=9.5				1.00
75	13121108	WASHER				1.00
76	TA0800504R0	PLUG D=8 L=4.5				1.00
77	13200902	FEED MECHANISM COVER PRESSER				1.00
78	SS6080340SP	SCREW 1/8-44 L=2.9				1.00

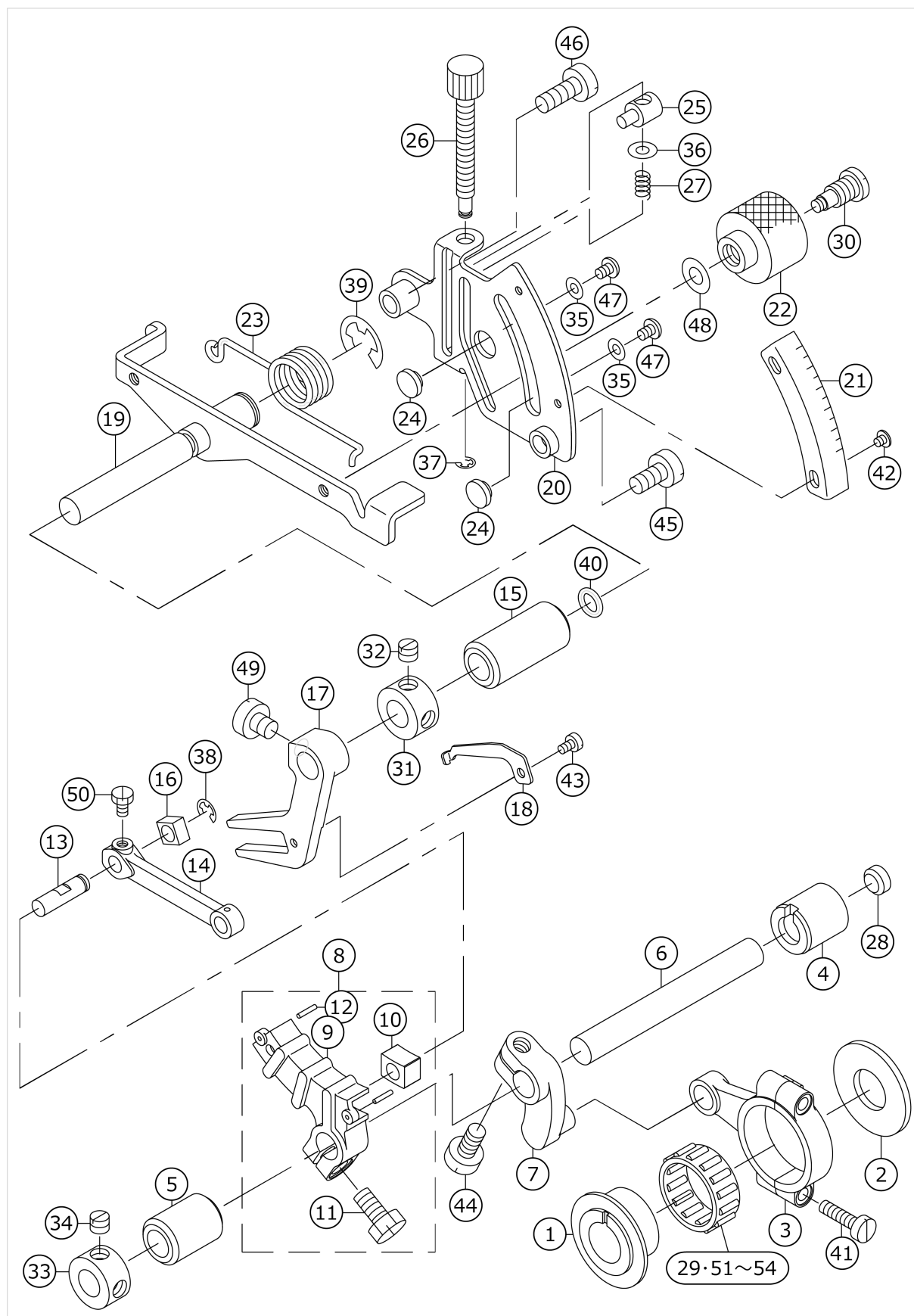
UPPER FEED MECHANISM COMPONENTS (1)



No.	品番	品名	備考	子部品	消耗品	個数
1	31208507	HORIZONTAL ARM C				1.00
2	31208606	HORIZONTAL SHAFT				1.00
3	31208705	VERTICAL ROD				1.00
4	31208804	VERTICAL SLIDE BLOCK				1.00
5	31208903	VERTICAL ADJUST PIN				1.00
6	12309605	ADJUST ARM				1.00
7	12309704	ADJUST ARM SPRING				1.00
8	13277405	SHAFT METAL FRONT				1.00
9	12309902	VERTICAL SHAFT REAR METAL				1.00
10	12310009	SHAFT				1.00
11	13276308	UPPER FEED SLIDE BLOCK				1.00
12	13276209	UPPER FEED BAR				1.00
13	13276704	OIL THROWER RUBBER PRESSER				1.00
14	12306007	LIFTER RUBBER				1.00
15	12310504	FEED BAR FELT				1.00
16	13276407	GUIDE A				1.00
17	13276506	GUIDE B				1.00
18	12310850	ADJUST SCREW ASM.				1.00
19	12310801	ADJUST SCREW		*		1.00
20	12310900	ADJUST SCREW PLATE		*		1.00
21	40078183	METAL REAR				1.00
22	12311007	UPPER PRESSER SPRING				1.00
23	12311106	UPPER PRESSER SLIDE BLOCK				1.00
24	31211303	SHAFT SCREW BASE				1.00
25	31211402	SHAFT SCREW				1.00
26	12308300	METAL FRONT				1.00
27	TA0340201R0	PLUG D=3.4X3.9 L=2				1.00
28	11566809	OIL SEAL				1.00
29	11913407	SLIDE BLOCK WASHER				1.00
30	11914405	NUT				1.00
31	B1612804C00	CRANK PIN C	SELECTIVE PARTS			1.00
32	B2024771000	SUSPENSION SCREW				1.00
33	CS1001011SH	THRUST COLLAR				2.00
34	SS8660530TP	SCREW 1/4-40 L=4.5				2.00
35	CS111101HSH	THRUST COLLAR ASM.				1.00
36	CS1111019SH	THRUST COLLAR D=11.11 W=10		*		1.00
37	SS8660330SP	SCREW 1/4-40 L=3.0		*		1.00
38	NM6040000SN	NUT M4				1.00
39	NM6080011SF	NUT M8				1.00
40	RE0400000K0	E-RING 4				1.00
41	SM9051203CP	SCREW M5 L=12				2.00
42	SM9061250TP	SCREW M6 L=12				1.00
43	SM9061250TP	SCREW M6 L=12				1.00
44	SS2110710TP	SCREW 11/64-40 L=7				1.00
45	SS6110420TP	SCREW 11/64-40 L=4.8				1.00
46	SS6110520TP	SCREW 11/64-40 L=4.5				1.00
47	SS6110710TP	SCREW 11/64-40 L=6.5				1.00
48	SS6110820TP	SCREW 11/64-40 L=8				1.00
49	SS7090410SP	SCREW 9/64-40 L=3.5				1.00

50	SS7110740TP	SCREW 11/64-40 L=7				1.00
51	B3525704000	OIL FELT				3.00
52	B3525704000	OIL FELT				2.00
53	TA0180401M0	NEEDLE COOLER PLUG CAP				1.00
54	TA0180401M0	NEEDLE COOLER PLUG CAP				1.00
55	TA0340201R0	PLUG D=3.4X3.9 L=2				1.00
56	TA0800501R0	PLUG D=8X8.2 L=5				1.00
57	WP0371036SD	WASHER 3.7X6X1				1.00
58	WP0451026SH	WASHER				1.00
59	WP0621016SH	WASHER				1.00
60	13277900	UPPER FEED DOG	FOR MO-3904R			1.00
61	13278007	UPPER FEED DOG	FOR MO-3914R			1.00
62	12330007	UPPER FEED DOG	FOR MO-3916R			1.00
63	31204407	TOP FEED DOG LIFTER B				1.00
64	12305504	UPPER FEED DOG LIFTER B SPRING				1.00
65	NS6150430SP	NUT 15/64-28				1.00
66	SS9151210TP	SCREW 15/64-28 L=11.8				1.00
67	SS6121020SP	SCREW 3/16-28 L=9.5				1.00
68	12316402	OIL WICK(VERTICAL A)	SELECTIVE PARTS			1.00
69	12316501	OIL WICK(VERTICAL B)	SELECTIVE PARTS			1.00
70	12316600	OIL WICK(VERTICAL C)	SELECTIVE PARTS			1.00
71	12316709	OIL WICK(VERTICAL A)	SELECTIVE PARTS			1.00
72	12316808	OIL WICK(VERTICAL B)	SELECTIVE PARTS			1.00
73	12316907	OIL WICK(VERTICAL C)	SELECTIVE PARTS			1.00
74	12317103	OIL WICK(HORIZONTAL)				1.00
75	12317202	OIL WICK (HORIZONTAL)				1.00
76	B1612804A00	CRANK PIN (A)	SELECTIVE PARTS			1.00
77	B1612804B00	CRANK PIN (B)	SELECTIVE PARTS			1.00
78	B1612804D00	CRANK PIN (D)	SELECTIVE PARTS			1.00
79	13277207	FELT				1.00
80	CQ252000000	OIL WICK				0.04
81	13276803	ONCE THROUGH OIL FELT A				1.00
82	CQ202000000	OIL WICK				0.04

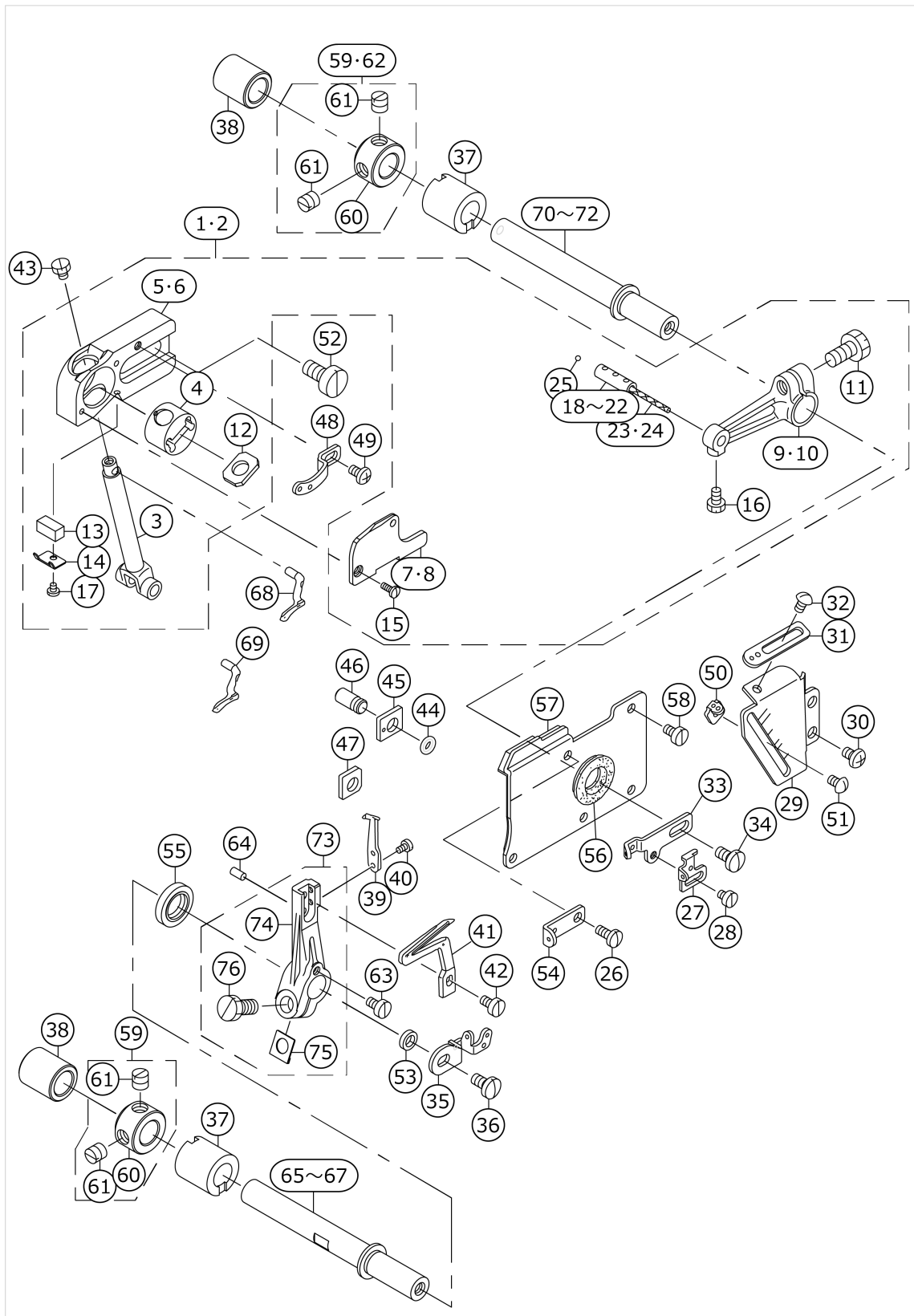
UPPER FEED MECHANISM COMPONENTS (2)



No.	品番	品名	備考	子部品	消耗品	個数
1	31207301	HORIZONTAL FEED CAM				1.00
2	12308102	CAM SPACER				1.00
3	12308201	HORIZONTAL ROD				1.00
4	12308300	METAL FRONT				1.00
5	12308409	METAL REAR				1.00
6	12308508	HORIZONTAL DRIVING SHAFT				1.00
7	31207905	HORIZONTAL ARM A				1.00
8	12308755	HORIZONTAL ARM B ASM.				1.00
9	12308706	HORIZONTAL ARM B		*		1.00
10	12308805	HORIZONTAL SLIDE BLOCK A		*		1.00
11	SM9061250TP	SCREW M6 L=12		*		1.00
12	PS0150082KH	SPRING PIN		*		2.00
13	12308904	HORIZONTAL FEED PIN				1.00
14	31208408	HORIZONTAL FEED LINK				1.00
15	12311205	METAL				1.00
16	31210305	HORIZONTAL SLIDE BLOCK B				1.00
17	31210404	HORIZONTAL BRANCH ARM				1.00
18	31210503	HORIZONTAL BRANCH STOPPER				1.00
19	31210750	ADJUSTING SHAFT COMPL.				1.00
20	12311809	UPPER FEED SCALE PLATE				1.00
21	12311908	UPPER FEED GRADUATION B				1.00
22	12312005	UPPER FEED LOCK NUT				1.00
23	12312104	UPPER FEED LEVER SPRING				1.00
24	11529005	STOPPER				2.00
25	11826005	DIFFERENTIAL FEED BLOCK				1.00
26	11826104	DIFFERENTIAL FEED SCREW				1.00
27	11826203	SPRING				1.00
28	11898400	RUBBER PLUG B				1.00
29	12116703	NEEDLE BEARING B	SELECTIVE PARTS			1.00
30	B1646704000A	DIFFERENTIAL FEED HINGE SCREW				1.00
31	CS1001011SH	THRUST COLLAR				1.00
32	SS8660530TP	SCREW 1/4-40 L=4.5				1.00
33	CS1001011SH	THRUST COLLAR				1.00
34	SS8660530TP	SCREW 1/4-40 L=4.5				1.00
35	WP0371016SD	WASHER 3.7X8X1				2.00
36	WP0460556SD	WASHER 4.6X7.5X0.5				1.00
37	RE0300000K0	E-RING 3				1.00
38	RE0400000K0	E-RING 4				1.00
39	RE0900000K0	E-RING 9				1.00
40	RO068190100	RUBBER RING				1.00
41	SS7111810TP	SCREW 11/64-40 L=18				2.00
42	SM0030301SN	SCREW				2.00
43	SM6030510SC	SCREW M3X0.5 L=5				1.00
44	SM9061250TP	SCREW M6 L=12				1.00
45	SM6061210SC	SCREW M6 L=12				1.00
46	SM6061610SC	SCREW M6 L=16				1.00
47	SS4090515SP	SCREW 9/64-40 L=5				2.00
48	WP0621016SD	WASHER 6.2X13X1				1.00
49	SS6660710TP	SCREW 1/4-40 L=7				1.00

50	SS9090610TP	SCREW 9/64-40 L=5.5				1.00
51	12116604	NEEDLE BEARING A	SELECTIVE PARTS			1.00
52	12116802	NEEDLE BEARING C	SELECTIVE PARTS			1.00
53	12116901	NEEDLE BEARING D	SELECTIVE PARTS			1.00
54	12117008	NEEDLE BEARING E	SELECTIVE PARTS			1.00

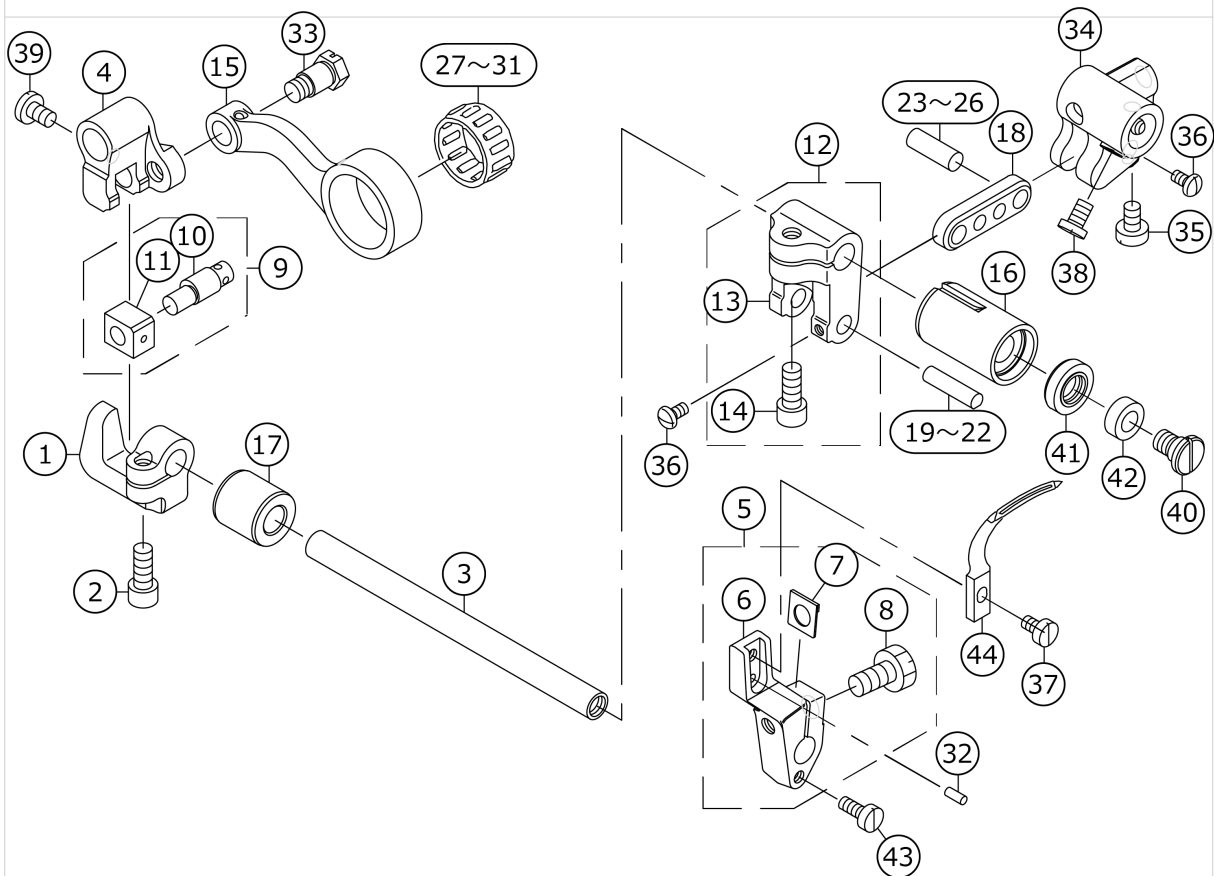
UPPER & LOWER LOOPER COMPONENTS



No.	品番	品名	備考	子部品	消耗品	個数
1	40186707	UPPER LOOPER GUIDE ASM C	FOR MO-6904R,MO-6916R			1.00
2	40186709	UPPER LOOPER GUIDE ASM E	FOR MO-6914R			1.00
3	40015636	UPPER LOOPER HOLDER		*		1.00
4	40011233	UPPER LOOPER GUIDE		*		1.00
5	12123105	UPPER LOOPER GUIDE SUPPORT, B		*		1.00
6	12123006	UPPER LOOPER GUIDE SUPPORT	FOR MO-6904R,MO-6916R	*		1.00
7	13222302	UPPER LOOPER GAUGE COVER B		*		1.00
8	13222203	UPPER LOOPER GUIDE COVER	FOR MO-6904R,MO-6916R	*		1.00
9	13131107	UPPER LOOPER ARM B		*		1.00
10	13131008	UPPER LOOPER ARM A	FOR MO-6904R,MO-6916R	*		1.00
11	SS9151210TP	SCREW 15/64-28 L=11.8		*		1.00
12	40011234	DUST SEALING FELT		*		1.00
13	13143706	OIL FELT		*		1.00
14	13143607	OIL FELT PRESSER		*		1.00
15	SS7060610SP	SCREW 3/32-56 L= 5.5		*		2.00
16	SS9090610TP	SCREW 9/64-40 L=5.5		*		1.00
17	SS7060310SP	SCREW 3/32-56 L=3		*		1.00
18	13131206	UPPER LOOPER HOLDER PIN A	SELECTIVE PARTS	*		1.00
19	13131305	UPPER LOOPER HOLDER PIN B	SELECTIVE PARTS	*		1.00
20	13131404	UPPER LOOPER HOLDER PIN C	SELECTIVE PARTS	*		1.00
21	13131503	UPPER LOOPER HOLDER PIN D	SELECTIVE PARTS	*		1.00
22	13131602	UPPER LOOPER HOLDER PIN E	SELECTIVE PARTS	*		1.00
23	CQ200000000	OIL WICK		*		0.04
24	CQ202000000	COTTON OIL WICK D=2		*		0.04
25	13131701	OIL WICK STOPPER BALL		*		1.00
26	SS7090850SP	SCREW 9/64-40 L=8				1.00
27	12340709	LOWER LOOPER THREAD TAKE-UP				1.00
28	SS6080410SP	SCREW 1/8-44 L=4				1.00
29	13222401	LOOPER THREAD TAKE-UP COVER				1.00
30	SM4040655SP	SCREW M4 L=6				2.00
31	12340303	THREAD GUIDE RIGHT				1.00
32	SS3090610SP	SCREW 9/64-40 L=6				1.00
33	12340402	THREAD TAKE-UP RIGHT				1.00
34	SS7110840SP	SCREW 11/64-40 L=7.8				1.00
35	13132907	LOOPER THREAD TAKE-UP LEFT				1.00
36	SS7110840SP	SCREW 11/64-40 L=7.8				1.00
37	13222609	LOOPER SHAFT FRONT BUSHING				2.00
38	13222708	LOOPER SHAFT REAR BUSHING				2.00
39	11890001	TRAVELING NEEDLE GUARD				1.00
40	SS6060440TP	SCREW 3/32-56 L=3.5				2.00
41	11999307	LOWER LOOPER				1.00

42	SS6090620TP	SCREW				1.00
43	SS9090410TP	SCREW				1.00
44	13170600	RUBBER RING				1.00
45	13131909	GUIDE SUPPORT GAUGE	FOR MO-6904R,MO-6914R			1.00
46	13131800	GAUGE FIXING PIN				1.00
47	13132006	GUIDE SUPPORT GAUGE	FOR MO-6916R			1.00
48	12340501	THREAD GUIDE UPPER				1.00
49	SS4090615SP	SCREW 9/64-40 L=6				1.00
50	12340808	THREAD GUIDE				1.00
51	SS3090610SP	SCREW 9/64-40 L=6				1.00
52	SM6061200SP	SCREW M6 L=12				2.00
53	13132600	COLLAR				1.00
54	12340600	UPPER LOOPER THREAD GUIDE				1.00
55	40010804	OIL SEAL RING				1.00
56	B2530704000	UPPER LOOPER SHAFT RUBBER RING				1.00
57	13133053	OIL SHIELD PLATE ASM.				1.00
58	SS6090630TP	SCREW 9/64-40 L=6				4.00
59	CS1031210SH	THRUST COLLAR ASM. D=10.32 W=12	FOR MO-6904R,MO-6914R			2.00
60	CS1031219SH	THRUST COLLAR D=10.32 W=12		*		1.00
61	SS8660610TP	SCREW 1/4-40 L=6		*		2.00
62	CS1031210SH	THRUST COLLAR ASM. D=10.32 W=12	FOR MO-6916R			1.00
63	SS6090630TP	SCREW 9/64-40 L=6				1.00
64	PS0300062KH	SPRING PIN 3X6				1.00
65	13221700	UPPER LOOPER SHAFT A	SELECTIVE PARTS			1.00
66	13221809	UPPER LOOPER SHAFT B	SELECTIVE PARTS			1.00
67	13221908	UPPER LOOPER SHAFT C	SELECTIVE PARTS			1.00
68	11888104	UPPER LOOPER	FOR MO-6904R,MO-6916R			1.00
69	12176004	UPPER LOOPER	FOR MO-6914R			1.00
70	13221403	UPPER LOOPER SHAFT A	SELECTIVE PARTS			1.00
71	13221502	UPPER LOOPER SHAFT B	SELECTIVE PARTS			1.00
72	13221601	UPPER LOOPER SHAFT C	SELECTIVE PARTS			1.00
73	13132550	LOWER LOOPER SUPPORT ARM ASM.				1.00
74	13132501	LOWER LOOPER SUPPORT ARM		*		1.00
75	13129309	WASHER		*		1.00
76	SS9151210TP	SCREW 15/64-28 L=11.8		*		1.00

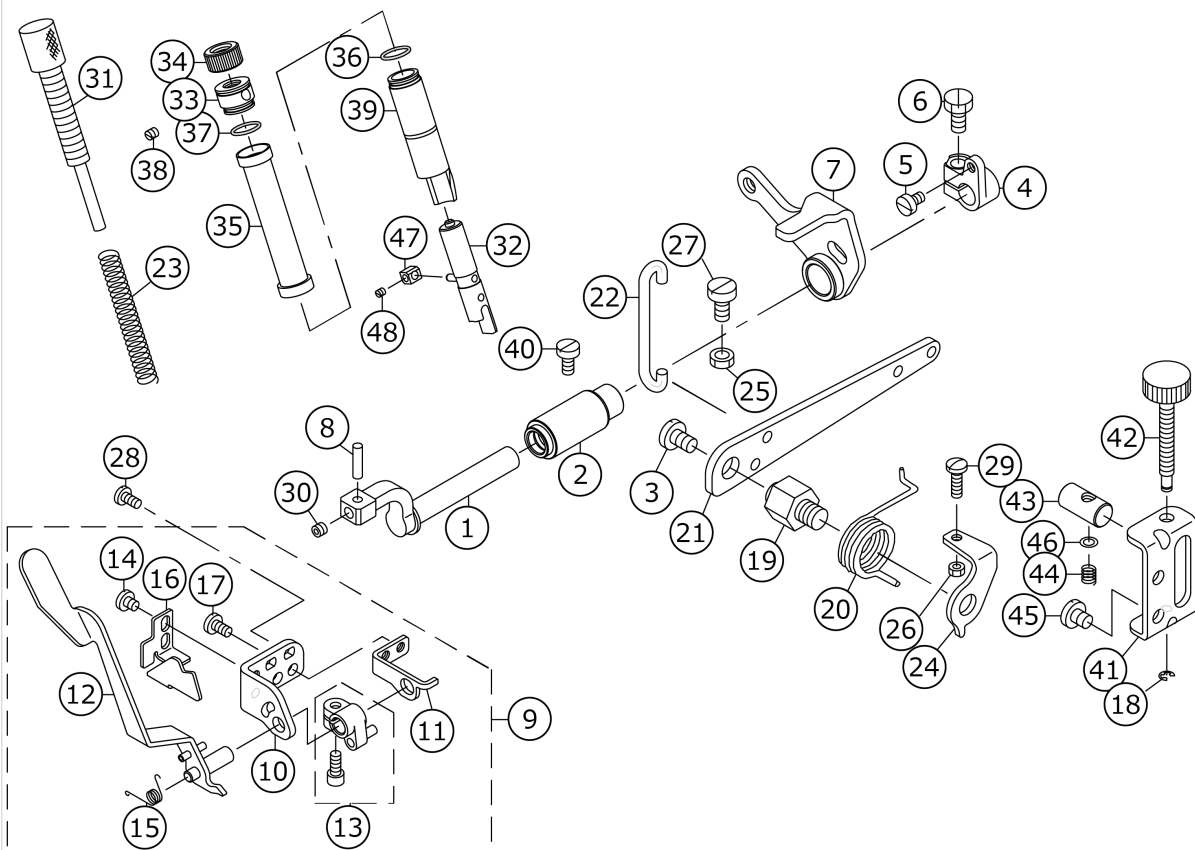
CHAIN LOOPER COMPONENTS (FOR MO-6916R)



No.	品番	品名	備考	子部品	消耗品	個数
1	12342309	BRACKET				1.00
2	SM6051202TP	SCREW M5X0.8 L=12				1.00
3	13126909	CHAIN LOOPER SHAFT				1.00
4	13126008	FRONT-AND-REAR ARM				1.00
5	13129952	CHAIN LOOPER DRIVING ARM ASM.				1.00
6	13129903	CHAIN LOOPER DRIVING ARM		*		1.00
7	13129309	WASHER		*		1.00
8	SS9151210TP	SCREW 15/64-28 L=11.8		*		1.00
9	11829751	CHAIN LOOPER SLIDE BLOCK PIN				1.00
10	B2120816000	CHAIN LOOPER SLIDE BLOCK PIN		*		1.00
11	B2105816000	CHAIN LOOPER SLIDE BLOCK		*		1.00
12	13125950	CHAIN LOOPER DRIVING ARM ASM.				1.00
13	13125901	CHAIN LOOPER DRIVING ARM		*		1.00
14	SM6051202TP	SCREW M5X0.8 L=12		*		1.00
15	13220009	CHAIN LOOPER ROD				1.00
16	13128103	BUSHING FORNT				1.00
17	13127006	BUSHING REAR				1.00
18	12342200	CHAIN LOOPER SHAFT DRIV LINK				1.00
19	13126503	PIN LONG A	SELECTIVE PARTS			1.00
20	13126602	PIN LONG B	SELECTIVE PARTS			1.00
21	13126701	PIN LONG C	SELECTIVE PARTS			1.00
22	13126800	PIN LONG D	SELECTIVE PARTS			1.00
23	13127204	PIN SHORT A	SELECTIVE PARTS			1.00
24	13127303	PIN SHORT B	SELECTIVE PARTS			1.00
25	13127402	PIN SHORT C	SELECTIVE PARTS			1.00
26	13127501	PIN SHORT D	SELECTIVE PARTS			1.00
27	B2119816A00	BEARING A	SELECTIVE PARTS			1.00
28	B2119816B00	BEARING B	SELECTIVE PARTS			1.00
29	B2119816C00	BEARING C	SELECTIVE PARTS			1.00
30	B2119816D00	BEARING D	SELECTIVE PARTS			1.00
31	B2119816E00	BEARING E	SELECTIVE PARTS			1.00
32	PS0250062KH	SPRING PIN 2.5X6				1.00
33	SD0720803TH	STEP-SCREW D=7.24 H=8				1.00
34	12121612	DRIVING BALL ARM BRACKET				1.00
35	SS6110710TP	SCREW 11/64-40 L=6.5				1.00
36	SS4080620TP	SCREW 1/8-44 L=6				2.00
37	SS6090620TP	SCREW				1.00

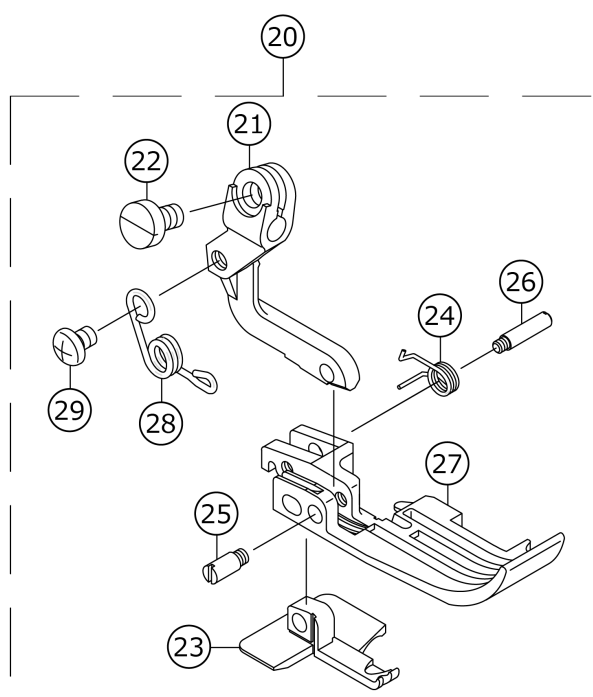
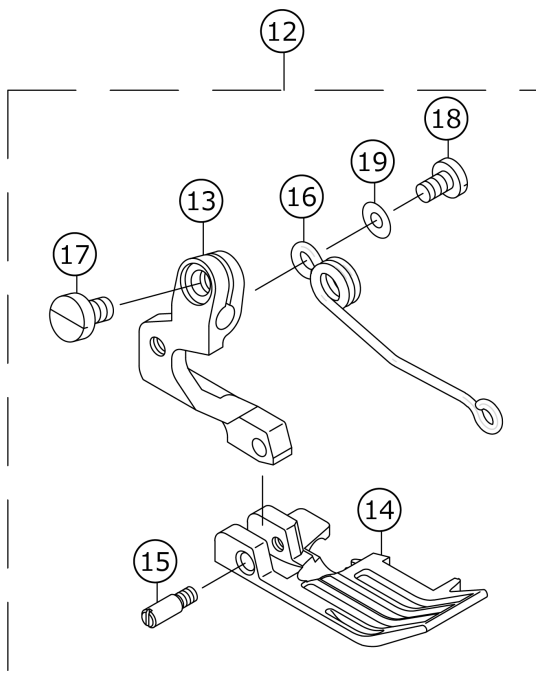
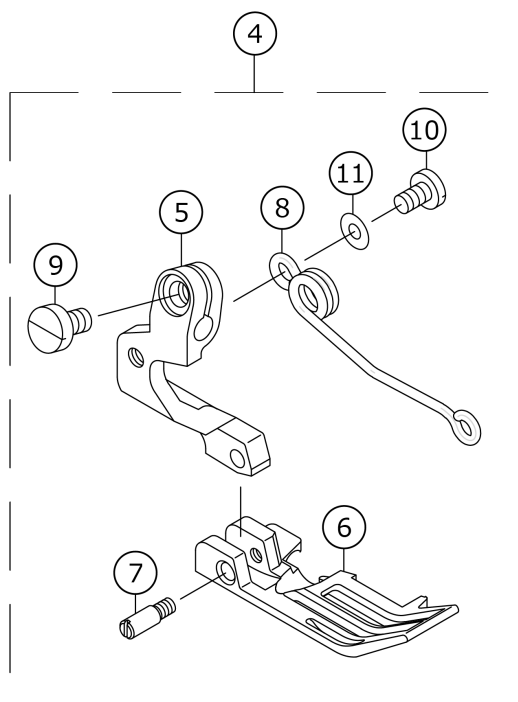
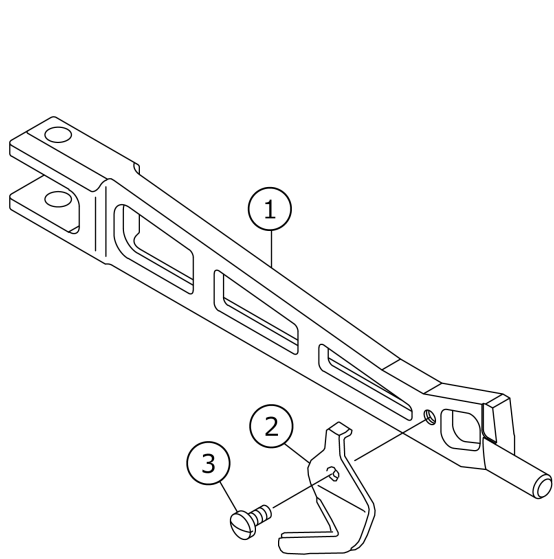
38	SS6110710TP	SCREW 11/64-40 L=6.5				2.00
39	SS7110720TP	SCREW 11/64-40 L=7				1.00
40	SD0720332SP	HINGE SCREW D=7.24 H=3.3				1.00
41	40010805	OIL SEAL RING				1.00
42	13130109	ADJUSTING WASHER				1.00
43	SS6090920SP	SCREW				1.00
44	12120705	CHAIN LOOPER				1.00

PRESSER FOOT COMPONENTS (1)



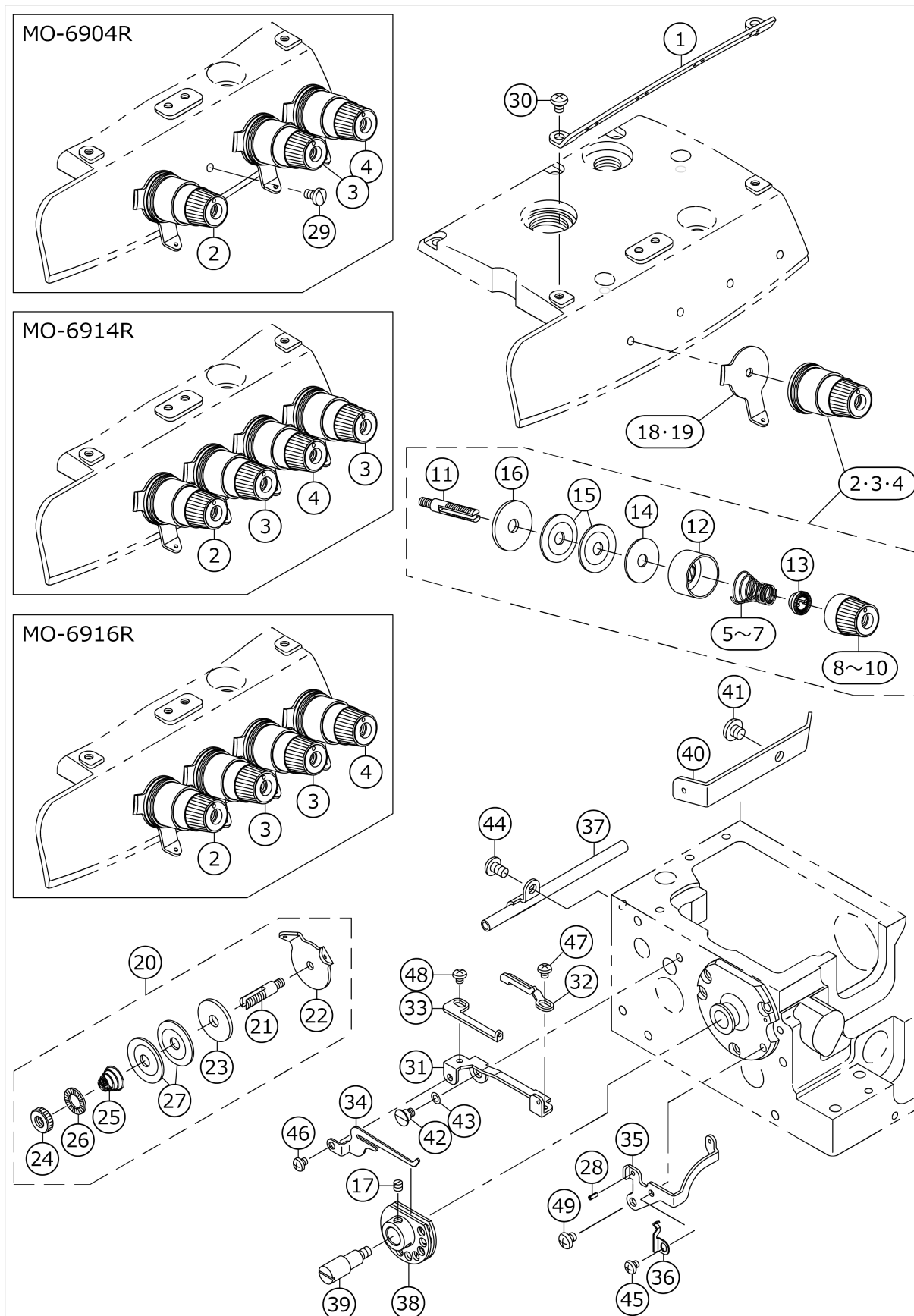
No.	品番	品名	備考	子部品	消耗品	個数
1	12113205	PRESSER FOOT SHAFT				1.00
2	13273701	PRESSER FOOT SHAFT BUSHING				1.00
3	SS7161040SP	SCREW 1/4-24 L=9.5				1.00
4	12113817	PRESSER FOOT SHAFT THRUST ARM				1.00
5	SS6110710TP	SCREW 11/64-40 L=6.5				1.00
6	SS9151210TP	SCREW 15/64-28 L=11.8				1.00
7	31204258	PRESSER LIFTING ARM ASM.				1.00
8	13115407	PRESSER FOOT ARM HINGE SHAFT				1.00
9	13274253	FOOT LIFTING LEVER STAND ASM.				1.00
10	12306106	FOOT LIFTING LEVER STAND A		*		1.00
11	13274204	FOOT LIFTING LEVER STAND B		*		1.00
12	12306353	FOOT LIFTING LEVER JUNCTION		*		1.00
13	12306551	UPPER FEED DOG LIFTER A ASM.		*		1.00
14	SS7110510SP	SCREW 11/64-40 L=5		*		2.00
15	12306601	SPRING		*		1.00
16	12306700	PRESSER ARM STOPPER		*		1.00
17	SS7110840SP	SCREW 11/64-40 L=7.8		*		2.00
18	RE0300000K0	E-RING 3				1.00
19	13117007	PRESSER LIFTING LEVER SCREW				1.00
20	13116306	PRESSER LIFTING LEVER SPRING				1.00
21	13116900	PRESSER LIFTING LEVER				1.00
22	12306809	LIFTING HOOK				1.00
23	13116207	PRESSER FOOT SPRING				1.00
24	13116603	PRESSER LIFTING LEVER SPRING				1.00
25	NM6060003SC	NUT M6				1.00
26	NS6110420SP	NUT 11/64-40				1.00
27	SM6061200SP	SCREW M6 L=12				1.00
28	SS7110840SP	SCREW 11/64-40 L=7.8				2.00
29	SS7111410TP	SCREW 11/64-40 L=14				1.00
30	SM8050412TP	SCREW M5 L=4				1.00
31	40034897	PRESSER ADJUSTING SCREW				1.00
32	40011753	PRESSER BAR ASM.				1.00
33	12288700	PRESSER REGULATOR SCREW WASHER				1.00
34	13117106	PRESSER REGULATOR NUT				1.00
35	13212709	PRESSER BAR COVER				1.00
36	13170402	RUBBER RING				2.00
37	13170402	RUBBER RING				1.00
38	SM8040402TP	SCREW M4X0.7 L=4				1.00
39	13213301	PRESSER BAR BUSHING				1.00
40	SS6121020SP	SCREW 3/16-28 L=9.5				1.00
41	13212808	ADJUSTING BASE				1.00
42	13213012	ADJUSTING SCREW				1.00
43	13212915	ADJUSTING BLOCK				1.00
44	13123302	ADJUSTING SPRING				1.00
45	SS7150740SP	SCREW 15/64-28 L=7				2.00
46	WP0460556SD	WASHER 4.6X7.5X0.5				1.00
47	70004672	SLIDE BLOCK				1.00
48	SS8080310TP	SCREW 1/8-44 L=2.8				1.00

PRESSER FOOT COMPONENTS (2)



No.	品番	品名	備考	子部品	消耗品	個数
1	12305611	PRESSER FOOT ARM				1.00
2	13116702	THREAD TRIMMER				1.00
3	SS7060510SP	SCREW 3/32-56 L=4.8				1.00
4	13278759	PRESSER FOOT ASM.	FOR MO-6904R			1.00
5	13278908	PRESSER FOOT HINGE		*		1.00
6	13278700	PRESSER FOOT		*		1.00
7	11930500	PRESSER FOOT HINGE PIN		*		1.00
8	11930906	PRESSER FOOT SPRING		*		1.00
9	SS6090670TP	SCREW 9/64-40 L=6		*		1.00
10	SS7080520SP	SCREW 1/8-44 L=4.9		*		1.00
11	WP0371026SD	WASHER 3.7X7X1		*		1.00
12	13278858	PRESSER FOOT ASM.	FOR MO-6914R			1.00
13	13278908	PRESSER FOOT HINGE		*		1.00
14	13278809	PRESSER FOOT		*		1.00
15	11930500	PRESSER FOOT HINGE PIN		*		1.00
16	11930906	PRESSER FOOT SPRING		*		1.00
17	SS6090670TP	SCREW 9/64-40 L=6		*		1.00
18	SS7080520SP	SCREW 1/8-44 L=4.9		*		1.00
19	WP0371026SD	WASHER 3.7X7X1		*		1.00
20	12320057	PRESSER FOOT ASM.	FOR MO-6916R			1.00
21	12320206	PRESSER FOOT HINGE		*		1.00
22	SS6090670TP	SCREW 9/64-40 L=6		*		1.00
23	12320107	REAR PRESSER		*		1.00
24	11931706	SPRING		*		1.00
25	11930708	PRESSER FOOT HINGE PIN		*		1.00
26	11930807	HINGE PIN		*		1.00
27	12320008	PRESSER		*		1.00
28	12320305	PRESSER FOOT ARM SPRING		*		1.00
29	SS4080415SP	SCREW 1/8-44 L=4		*		1.00

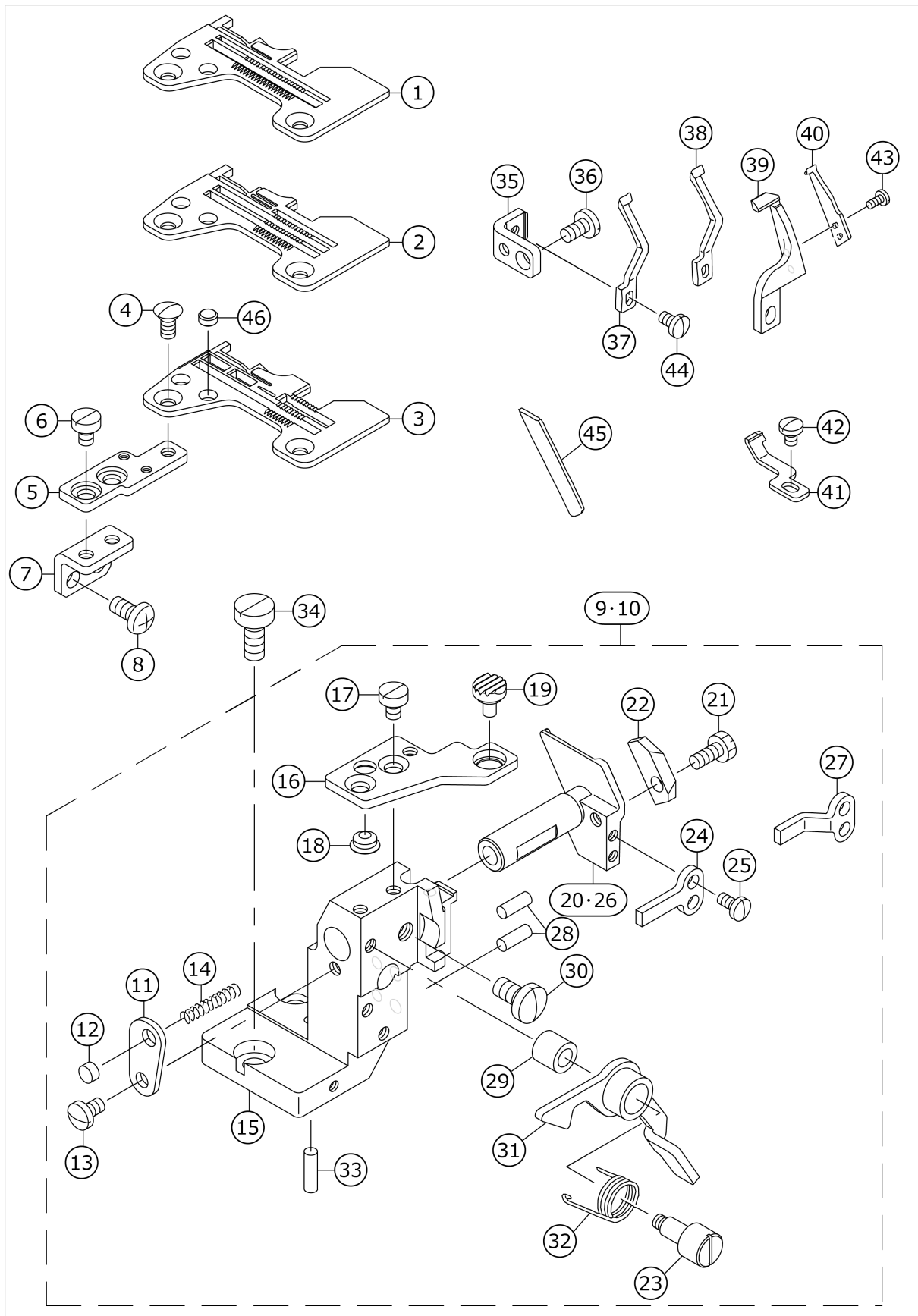
THREAD TENSION COMPONENTS



No.	品番	品名	備考	子部品	消耗品	個数
1	13225008	CENTER THREAD GUIDE				1.00
2	13137559	THREAD TENSION SPRING COMPL.				1.00
3	13138359	THREAD TENSION SPRING COMPL.	FOR MO-6904R(1 PC. IS USED.) FOR MO-6914R, MO-6916R(2 PC. ARE USED.)			1.00
4	13138656	THREAD TENSION SPRING COMPL.				1.00
5	13137807	THREAD TENSION SPRING RED		*		1.00
6	13138508	THREAD TENSION SPRING YELLOW		*		1.00
7	13138805	THREAD TENSION SPRING BLUE		*		1.00
8	13137708	THREAD TENSION KNOB RED		*		1.00
9	13138409	THREAD TENSION KNOB YELLOW		*		1.00
10	13138706	THREAD TENSION KNOB BLUE		*		1.00
11	13138904	THREAD TENSION BAR		*		1.00
12	13137609	THREAD TENSION DISK PRESSER		*		1.00
13	13137906	SPRING BUSHING		*		1.00
14	13138102	THREAD TENSION SPRING FELT		*		1.00
15	13138201	THREAD TENSION DISK		*		2.00
16	13138003	THREAD TENSION RUBBER WASHER		*		1.00
17	SS8110410TP	SCREW 11/64-40 L=3.5	FOR MO-6916R			2.00
18	13225107	TESION DISK THREAD GUIDE	FOR MO-6904R			3.00
19	13225107	TESION DISK THREAD GUIDE	FOR MO-6914R,MO-6916R			4.00
20	13139555	THREAD TENSION POST CONPL.	FOR MO-6916R			1.00
21	13140009	THREAD TENSION POST		*		1.00
22	13139605	TESION DISK THREAD GUIDE		*		1.00
23	13139902	THREAD TENSION SPRING FELT		*		1.00
24	13139803	THREAD TENSION NUT		*		1.00
25	13139704	THREAD TENSION SPRING		*		1.00
26	22921407	ROTATION STOPPER		*		1.00
27	13138201	THREAD TENSION DISK		*		2.00
28	PS0200052KH	SPRING PIN 2.3X5	FOR MO-6916R			1.00
29	SS7110710SL	SCREW 11/64-40 L=7.0	FOR MO-6904R			1.00
30	SS4110615SP	SCREW 11/64-40 L=6				2.00
31	12283602	THREAD GUIDE BASE	FOR MO-6916R			1.00
32	12283701	THREAD GUIDE A	FOR MO-6916R			1.00
33	12283800	THREAD GUIDE B	FOR MO-6916R			1.00
34	13128509	LOWER THREAD CAM HOOK	FOR MO-6916R			1.00
35	13128608	LOWER THREAD GUIDE	FOR MO-6916R			1.00
36	13128707	THREAD GUIDE BASE SPRING	FOR MO-6916R			1.00
37	13129259	LOWER THREAD CONDUIT BASE ASM.	FOR MO-6916R			1.00
38	12347555	LOWER THREAD CAM COMPL.	FOR MO-6916R			1.00
39	B2202816000	SHAFT	FOR MO-6916R			1.00
40	B2402716000	LOOPER THREAD GUIDE TUBE GUIDE	FOR MO-6916R			1.00
41	SS5150510SP	SCREW 15/64-28 L=5	FOR MO-6916R			1.00
42	SD0600341TP	HINGE SCREW D=6.0 H=3.4	FOR MO-6916R			1.00
43	WZ0640312K0	WAVED WASHER	FOR MO-6916R			1.00
44	SM4050855SP	SCREW M5 L=8	FOR MO-6916R			1.00
45	SS4090415SP	SCREW 9/64-40 L=4	FOR MO-6916R			1.00

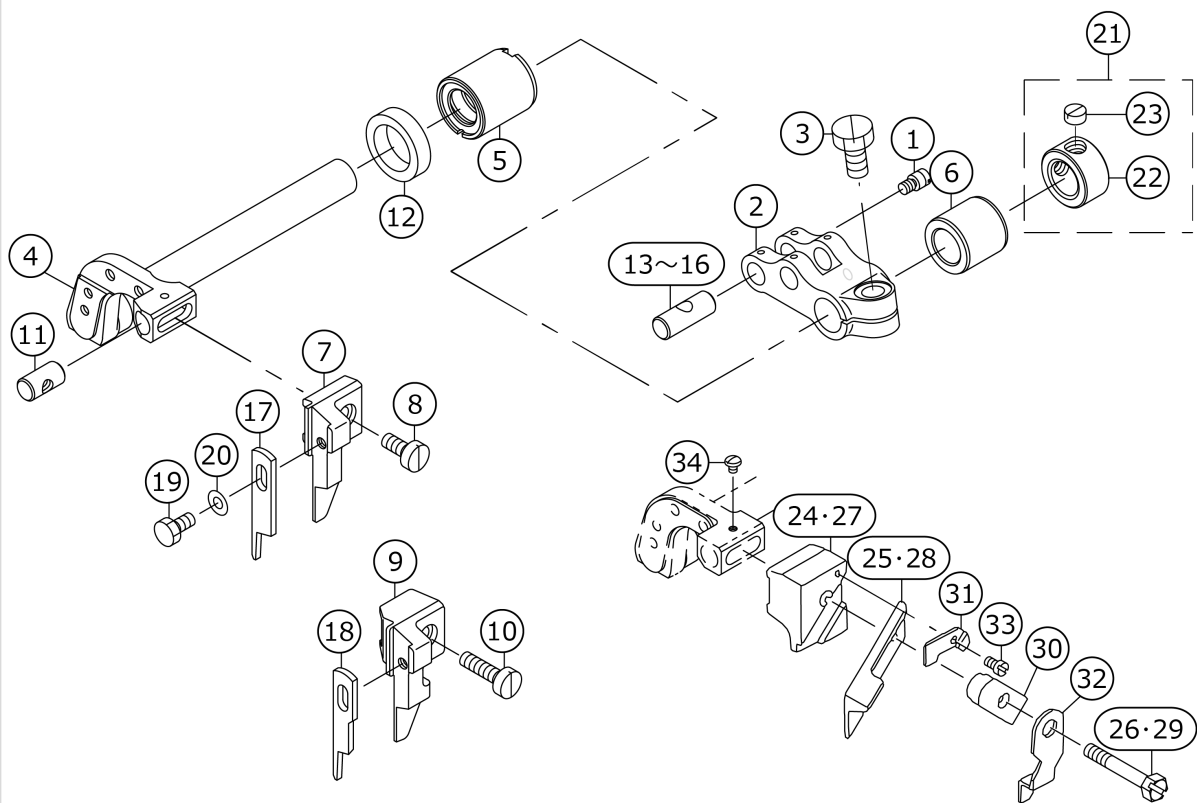
46	SS4090415SP	SCREW 9/64-40 L=4	FOR MO-6916R			1.00
47	SS4090415SP	SCREW 9/64-40 L=4	FOR MO-6916R			1.00
48	SS4090415SP	SCREW 9/64-40 L=4	FOR MO-6916R			1.00
49	SS4110515SP	SCREW 11/64-40 L=5	FOR MO-6916R			1.00

LOWER KNIFE COMPONENTS



No.	品番	品名	備考	子部品	消耗品	個数
1	R4200J6ED00	THROAT PLATE	FOR MO-6904R			1.00
2	R4305J6EE00	THROAT PLATE	FOR MO-6914R			1.00
3	R4508J6ED00	THROAT PLATE	FOR MO-6916R			1.00
4	SS2110910SL	SCREW 11/64-40 L=9				2.00
5	13151204	THROAT PLATE BASE B				1.00
6	SS6110610TP	SCREW 11/64-40 L=6				2.00
7	12288908	THROAT PLATE BASE B SUPPORT				1.00
8	SM4051055SP	SCREW				2.00
9	13232657	LOWER KNIFE BRACKET ASM.	FOR MO-6904R,MO-6914R			1.00
10	13232756	LOWER KNIFE BRACKET ASM.	FOR MO-6916R			1.00
11	12133211	SPRING STOPPER		*		1.00
12	11806304	PLUG		*		1.00
13	SS7110720SP	SCREW 11/64-40 L=7		*		1.00
14	11846607	SPRING		*		1.00
15	12132619	LOWER KNIFE BRACKET		*		1.00
16	12102208	THROAT PLATE BASE A		*		1.00
17	SS6110610TP	SCREW 11/64-40 L=6		*		2.00
18	12103701	RUBBER PLUG B		*		1.00
19	13235304	RUBBER PLUG A		*		1.00
20	12132700	LOWER KNIFE SLIDE STUD	FOR MO-6904R,MO-6914R	*		1.00
21	SS9111010SP	SCREW 11/64-40 L=9.5		*		1.00
22	12133104	LOWER KNIFE PRESSER PLATE		*		1.00
23	12102810	LEVER SHAFT		*		1.00
24	12132908	ROTATING STOPPER	FOR MO-6904R,MO-6914R	*		1.00
25	SS7090710SP	SCREW 9/64-40 L=6.8		*		2.00
26	12132809	LOWER KNIFE SLIDE STUD	FOR MO-6916R	*		1.00
27	12133005	ROTATING STOPPER	FOR MO-6916R	*		1.00
28	12133708	HOLDER PIN		*		2.00
29	12103107	RUBBER PLUG		*		1.00
30	SS7151120SP	SCREW 15/64-28 L=11		*		1.00
31	12102950	LEVER ASM.		*		1.00
32	11802006	LEVER SPRING		*		1.00
33	11846805	HOLDER PIN		*		1.00
34	SS6151440SP	SCREW 15/64-28 L=14				2.00
35	13151105	NEEDLE HOLDER SUPPORT				1.00
36	SS7110840SP	SCREW 11/64-40 L=7.8				1.00
37	11890100	NEEDLE GUARD	FOR MO-6904R			1.00
38	11890308	NEEDLE GUARD	FOR MO-6914R			1.00
39	12015301	NEEDLE HOLDER	FOR MO-6916R			1.00
40	12015400	NEEDLE HOLDER	FOR MO-6916R			1.00
41	12177903	NEEDLE HOLDER	FOR MO-6916R			1.00
42	SS7090510SP	SCREW 9/64-40 L=4.6	FOR MO-6916R			1.00
43	SS7060510SP	SCREW 3/32-56 L=4.8	FOR MO-6916R			2.00
44	SS7090610SP	SCREW 9/64-40 L=6				1.00
45	13150701	LOWER KNIFE				1.00
46	13102702	THROAT PLATE COVER				2.00

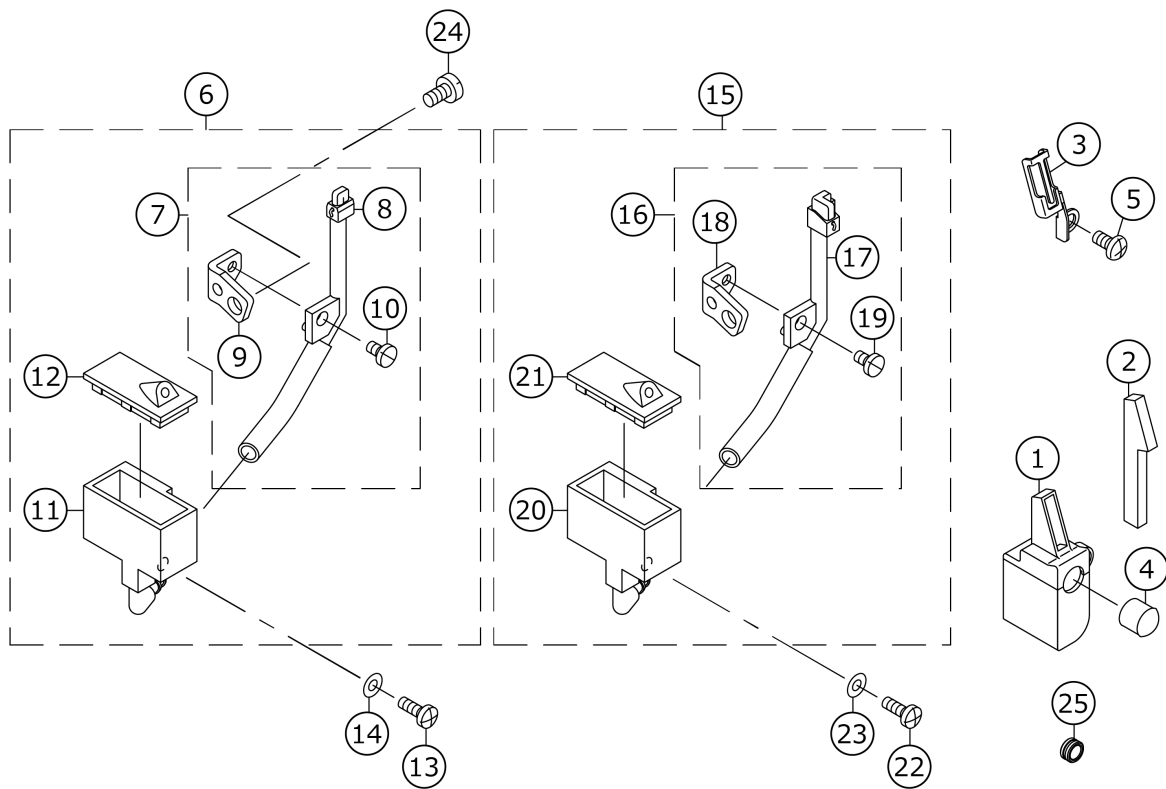
UPPER KNIFE COMPONENTS



No.	品番	品名	備考	子部品	消耗品	個数
1	B2024771000	SUSPENSION SCREW				1.00
2	12318002	UPPER KNIFE DRIVING ARM				1.00
3	SM9061250TP	SCREW M6 L=12				1.00
4	31216005	KNIFE ARM SHAFT				1.00
5	13277405	BUSHING FRONT				1.00
6	13151006	BUSHING REAR				1.00
7	13147400	PLAIN KNIFE SUPPORT A	FOR MO-6904R,M O-6914R(EXCEPT JE)			1.00
8	SS6111040SP	SCREW 11/64-40 L=9.5	FOR MO-6904R,M O-6914R(EXCEPT JE)			1.00
9	13147301	PLAIN KNIFE SUPPORT	FOR MO-6916R(EXCEPT JE)			1.00
10	SS6111610SP	SCREW 11/64-40 L=16	FOR MO-6916R(EXCEPT JE)			1.00
11	13150800	UPPER KNIFE GUIDE SHAFT				1.00
12	11566809	OIL SEAL				1.00
13	13122007	CRANK PIN A	SELECTIVE PARTS			1.00
14	13122106	CRANK PIN B	SELECTIVE PARTS			1.00
15	13122205	CRANK PIN C	SELECTIVE PARTS			1.00
16	13122304	CRANK PIN D	SELECTIVE PARTS			1.00
17	13150503	PLAIN KNIFE	FOR MO-6904R,M O-6914R(EXCEPT JE)			1.00
18	13150602	PLAIN KNIFE	FOR MO-6916R(EXCEPT JE)			1.00
19	SS9090823TP	BOLT 9/64-40 L=8	EXCEPT JE			1.00
20	WP0370316SD	WASHER 3.7X8X0.3	EXCEPT JE			1.00
21	CS111101HSH	THRUST COLLAR ASM.				1.00
22	CS1111019SH	THRUST COLLAR D=11.11 W=10		*		1.00
23	SS8660330SP	SCREW 1/4-40 L=3.0		*		1.00
24	11598000	UPPER KNIFE SUPPORT	FOR MO-6904R,M O-6914R(FOR JE)			1.00
25	11845807	UPPER KNIFE	FOR MO-6904R,M O-6914R(FOR JE)			1.00
26	SS9111610SP	SCREW 11/64-40 L=16	FOR MO-6904R,M O-6914R(FOR JE)			1.00
27	11845500	UPPER KNIFE SUPPORT	FOR MO-6916R(FOR JE)			1.00
28	11845906	UPPER KNIFE	FOR MO-6916R(FOR JE)			1.00
29	SS9112310SP	SCREW 11/64-40 L=23	FOR MO-6916R(FOR JE)			1.00

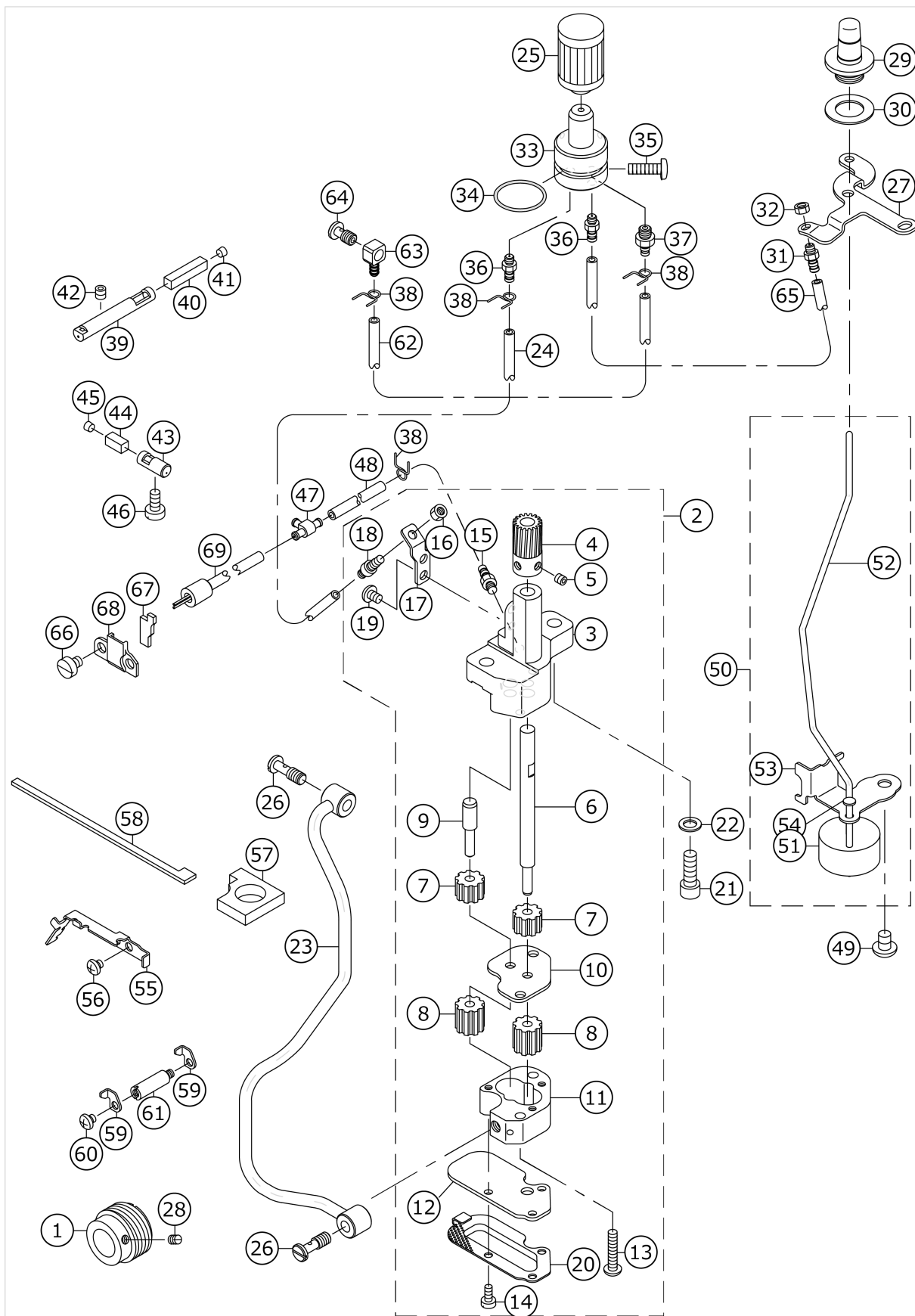
30	11565504	UPPER KNIFE PRESSER PLATE	FOR JE			1.00
31	11565702	WASHER	FOR JE			1.00
32	11565603	UPPER KNIFE COVER	FOR JE			1.00
33	SS4060310SP	SCREW 3/32-56 L=2.5	FOR JE			1.00
34	SS4060310SP	SCREW 3/32-56 L=2.5	FOR JE			1.00

NEEDLE COOLING MECHANISM COMPONENTS



No.	品番	品名	備考	子部品	消耗品	個数
1	13163456	SILICON TANK ASM.				1.00
2	13163803	NEEDLE THREAD FELT				1.00
3	13163902	NEEDLE THREAD FELT PRESSER				1.00
4	TA0950806R0	RUBBER PLUG				1.00
5	SM4040855SP	SCREW				1.00
6	13162557	NEEDLE COOLER UNIT ASM. (OVER)	FOR MO-6904R,MO-6914R			1.00
7	13162565	NEEDLE COOLER UNIT COMPL.		*		1.00
8	13162573	NEEDLE COOLER UNIT ASM. (OVER)		*		1.00
9	13162805	NEEDLE COOLER SUPPORT		*		1.00
10	SS7090610SP	SCREW 9/64-40 L=6		*		1.00
11	13162904	TANK		*		1.00
12	13163001	TANK COVER		*		1.00
13	SS4091015SP	SCREW 9/64-40 L=10				1.00
14	WP0371026SD	WASHER 3.7X7X1				1.00
15	13163159	NEEDLE COOLER UNIT ASM.(INTER)	FOR MO-6916R			1.00
16	13163167	NEEDLE COOLER COMPL.(INTER)		*		1.00
17	13163175	NEEDLE COOLER ASM.(INTER)		*		1.00
18	13162805	NEEDLE COOLER SUPPORT		*		1.00
19	SS7090610SP	SCREW 9/64-40 L=6		*		1.00
20	13162904	TANK		*		1.00
21	13163001	TANK COVER		*		1.00
22	SS4091015SP	SCREW 9/64-40 L=10				1.00
23	WP0371026SD	WASHER 3.7X7X1				1.00
24	SS7110840SP	SCREW 11/64-40 L=7.8				1.00
25	13163704	BUSHING				1.00

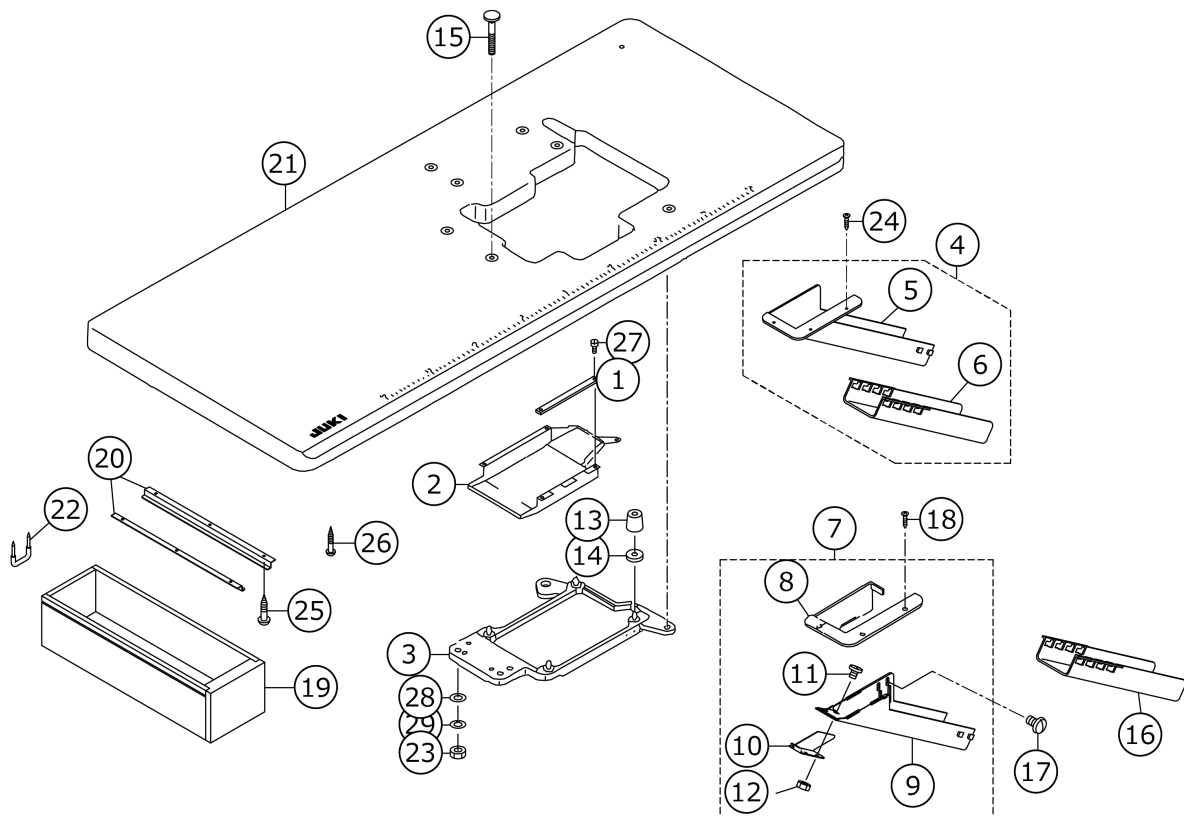
LUBRICATION MECHANISM COMPONENTS



No.	品番	品名	備考	子部品	消耗品	個数
1	12315008	WORM				1.00
2	40018045	OIL PUMP ASM				1.00
3	12315909	OIL PUMP		*		1.00
4	13343009	WORM WHEEL		*		1.00
5	SM8050412TP	SCREW M5 L=4		*		2.00
6	11918109	GEAR PUMP SHAFT LARGE		*		1.00
7	B3534352000	PINION GEAR		*		2.00
8	11840303	OIL PUMP PINION		*		2.00
9	12317004	GEAR PUMP SHAFT		*		1.00
10	12316006	PINION SPACER		*		1.00
11	12316105	CASING		*		1.00
12	40016762	PUMP COVER		*		1.00
13	SS4112215SP	SCREW 11/64-40 L=22		*		2.00
14	SS6090810SP	SCREW 9/64-40 L=7.5		*		3.00
15	SQ1110401MZ	CONNECTING SCREW		*		1.00
16	NS6110310SP	NUT 11/64-40		*		1.00
17	12129318	CONNECTING SCREW BRACKET		*		1.00
18	SQ1110451MZ	CONNECTING SCREW		*		1.00
19	SS4110615SP	SCREW 11/64-40 L=6		*		2.00
20	40016763	PUMP NET		*		1.00
21	SM6061802TP	SCREW M6 L=18				2.00
22	WP0651056SD	WASHER 6.5X11X1				2.00
23	13228655	LUBRICATION MECHANISM PIPE ASM				1.00
24	23630007	TUBE				0.21
25	13142500	CARTRIDGE FILTER				1.00
26	SQ11150454SD	CONNECTING SCREW				2.00
27	12315800	OILING EXIT SUPPORT				1.00
28	SS8110520TP	SCREW 11/64-40 L=4.5				1.00
29	13143300	OIL GAUGE				1.00
30	13144001	OIL GAUGE GASKET				1.00
31	SQ1110451MZ	CONNECTING SCREW				1.00
32	NS6110310SP	NUT 11/64-40				1.00
33	13142955	FILTER GUIDE ASM.				1.00
34	13170808	RUBBER RING				1.00
35	SM4051601SC	SCREW M5X0.8 L=16				1.00
36	SQ1110451MZ	CONNECTING SCREW				2.00
37	SQ11150451MZ	CONNECTING SCREW				1.00
38	13142609	OIL TUBE HOLDER				4.00
39	13144100	OILING PIN				1.00
40	13144209	OIL FELT				1.00
41	TA0400301M0	PLUG D=4X4.5 L=3				1.00
42	SM8050502TP	SCREW M5 L=5				1.00
43	13143417	OILING PIN				1.00
44	13143508	OIL FELT				1.00
45	13230107	OIL PLUG				1.00
46	SS6121020SP	SCREW 3/16-28 L=9.5				1.00
47	13765607	OIL CONNec. ARM				1.00
48	23630007	TUBE				0.18
49	SM4060801SE	SCREW				1.00
50	13275151	FLOAT ASM.				1.00

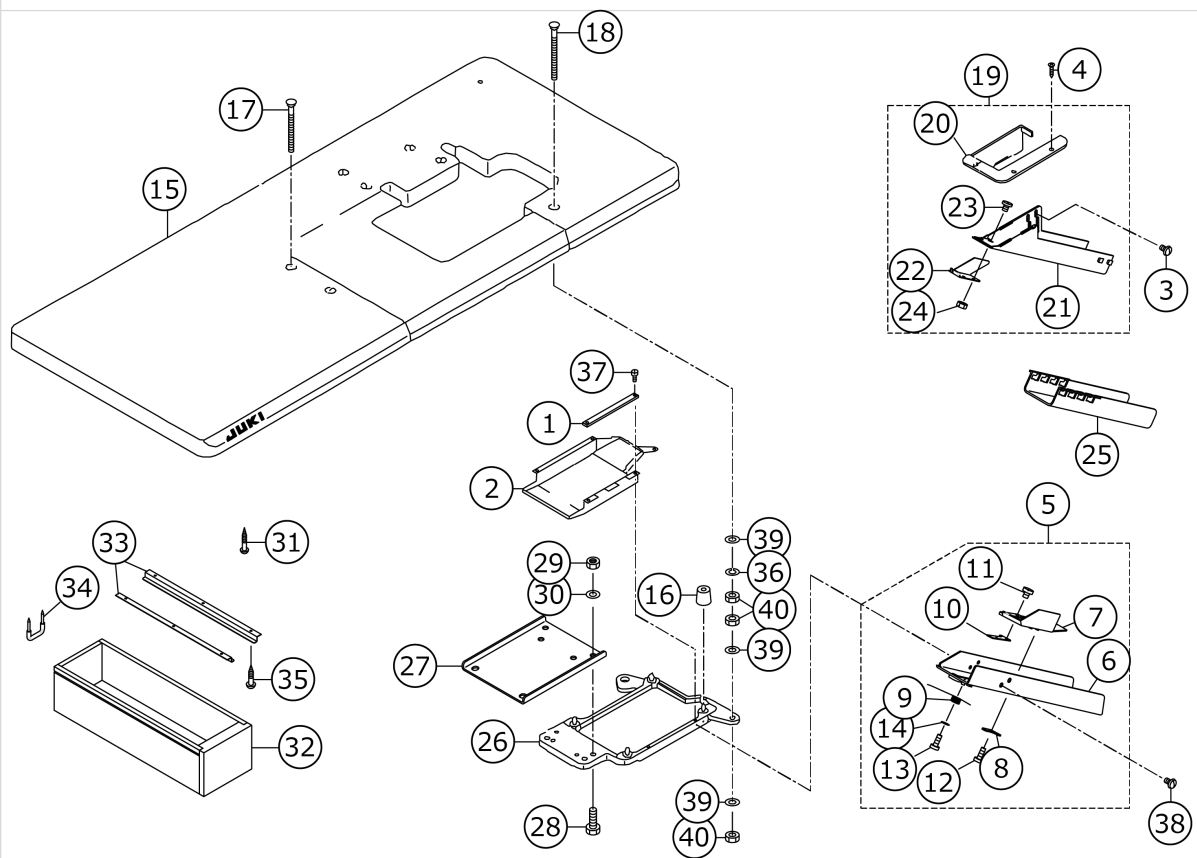
51	13275102	FLOAT		*		1.00
52	13275003	OIL GAUGE BAR		*		1.00
53	13229307	FLOAT SUPPORT		*		1.00
54	13275201	FLOAT GUIDE BAR		*		1.00
55	13228804	OIL FELT GUIDE				1.00
56	31018005	SCREW				2.00
57	13229109	OIL FELT B				1.00
58	13229406	OIL FELT A				1.00
59	13228903	OIL FELT PRESSER				2.00
60	31018005	SCREW				1.00
61	13229000	FELT PRESSER SPACER				1.00
62	BP30000010R	VINYL PIPE				0.28
63	SQ0000451MZ	CONNECTING SCREW				1.00
64	SQ1150441SD	CONNECTING SCREW				1.00
65	23630007	TUBE				0.17
66	SS6120620TP	SCREW				2.00
67	13276902	ONCE THROUGH OIL FELT B				1.00
68	13277009	ONCE THROUGH COVER				1.00
69	13277157	ONCE THROUGH PIPE ASM.				1.00

SEMI-SUNKEN TYPE TABLE COMPONENTS



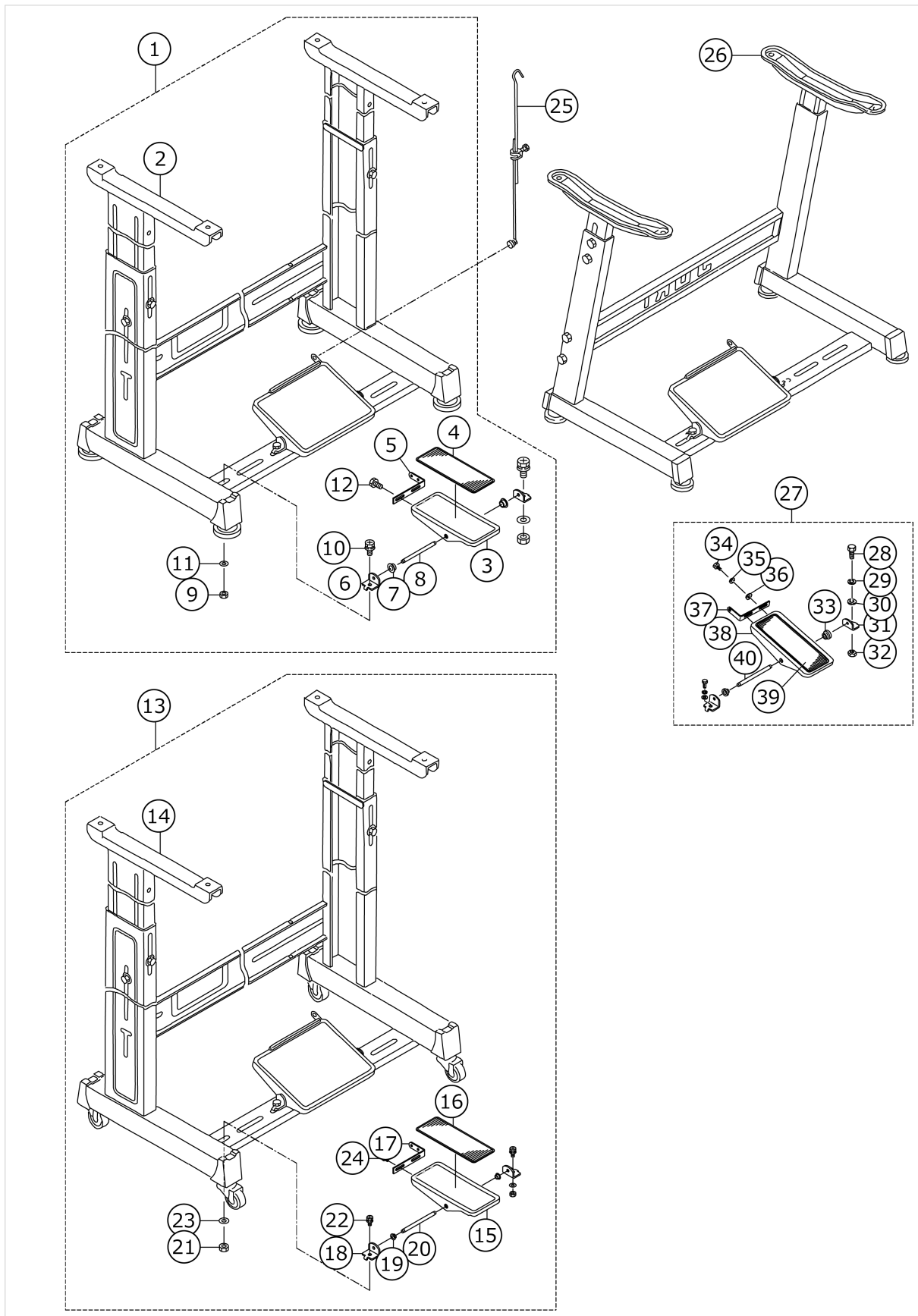
No.	品番	品名	備考	子部品	消耗品	個数
1	13161005	CASE SPONGE				1.00
2	13160908	COOLING FAN CASE				1.00
3	13161153	FRAME SUPPORT PLATE ASM.				1.00
4	12341954	CLOTH WASTE CHUTE ASM.	EXCEPT JE			1.00
5	12341905	CLOTH WASTE CHUTE(SEMI-SUNKEN)		*		1.00
6	12341806	CLOTH WASTE CHUTE		*		1.00
7	13155759	CLOTH WASTE CHUTE ASM.	FOR JE			1.00
8	13155601	CLOTH WASTE CHUTE INLET		*		1.00
9	13155700	CLOTH WASTE CHUTE UPPER		*		1.00
10	13155502	CHUTE SUPPORT		*		1.00
11	SS5090610SP	SCREW 9/64-40 L=6		*		3.00
12	NS6090310SP	NUT 9/64-40		*		3.00
13	13155403	DUST-PROOF RUBBER				4.00
14	13156500	DUST-PROOF RUBBER SPACER				4.00
15	13155007	HOLDING PLATE BOLT				4.00
16	12341806	CLOTH WASTE CHUTE	FOR JE			1.00
17	SS5110710SP	SCREW 11/64-40 L=7	FOR JE			2.00
18	SK2351601SE	SCREW	FOR JE			3.00
19	11155108	DRAWER				1.00
20	11155207	DRAWER SUPPORT				2.00
21	11959400	TABLE (SEMI-SUNKEN)				1.00
22	D8204555D00	DRAWER STOPPER				1.00
23	NS6240630SE	NUT 3/8-18				4.00
24	SK2351601SE	SCREW	EXCEPT JE			3.00
25	SK3311500SC	WOOD SCREW D=3.1 L=15				6.00
26	SK3513200SC	WOOD SCREW D=5.1 L=32				4.00
27	SS6090630TP	SCREW 9/64-40 L=6				5.00
28	WP1002036SE	WASHER 10X21X2				4.00
29	WS1002560KR	SPRING WASHER 10X18X2.5				4.00

FULLY-SUNKEN TYPE TABLE COMPONENTS



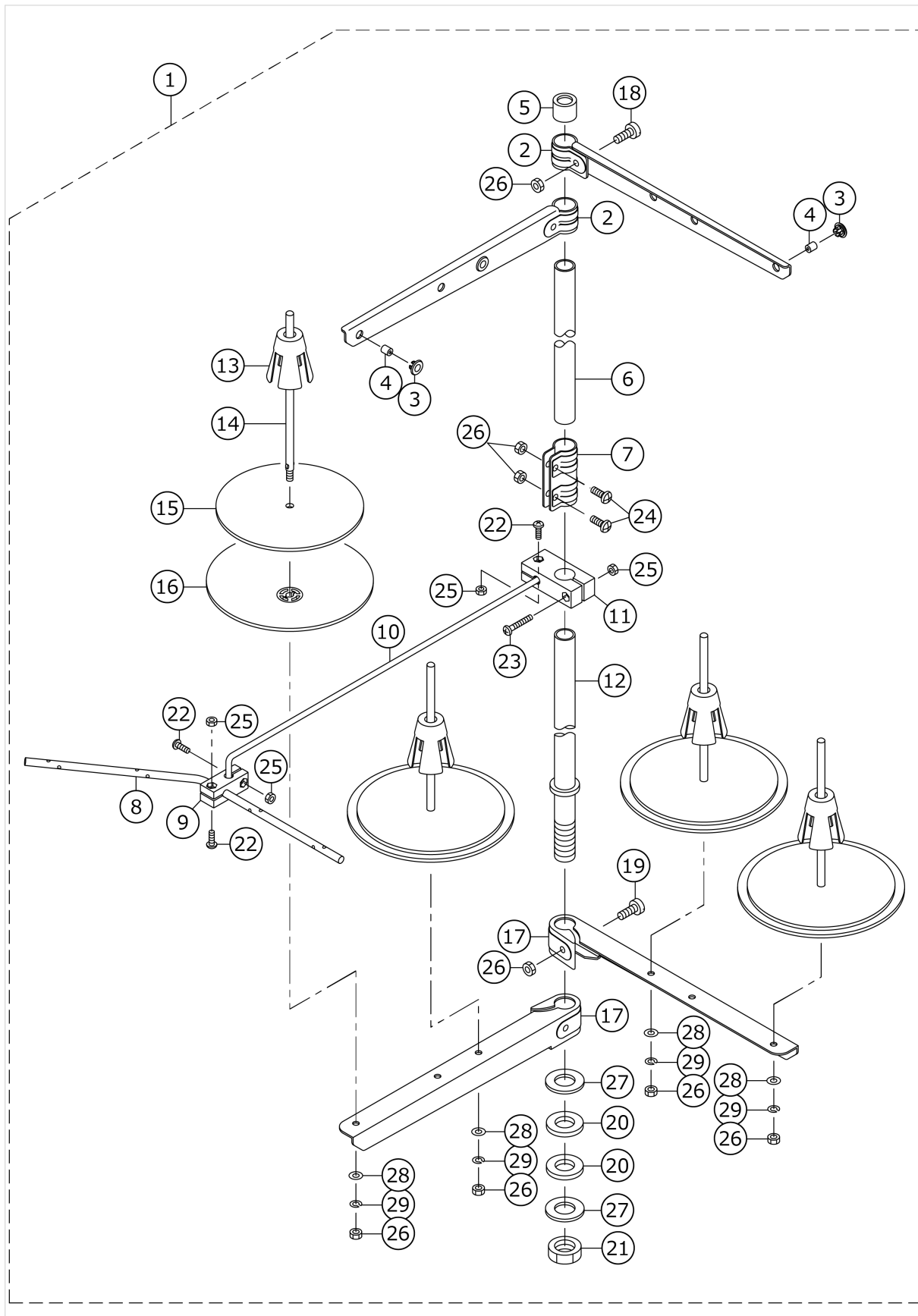
No.	品番	品名	備考	子部品	消耗品	個数
1	13161005	CASE SPONGE				1.00
2	13160908	COOLING FAN CASE				1.00
3	SS5110710SP	SCREW 11/64-40 L=7	FOR JE			2.00
4	SK2351601SE	SCREW	FOR JE			3.00
5	13155858	CLOTH WASTE CHUTE ASM.	EXCEPT JE			1.00
6	13156203	CLOTH WASTE CHUTE		*		1.00
7	13156302	CLOTH WASTE CHUTE INLET		*		1.00
8	13155908	CHUTE INLET LEVER		*		1.00
9	13156005	CHUTE INLET SPRING		*		1.00
10	13156104	CHUTE INLET RUBBER		*		1.00
11	SS6090420SP	SCREW 9/64-40 L=4.0		*		2.00
12	ST60308210A	SCREW D=3-24 L=8		*		2.00
13	ST60308210A	SCREW D=3-24 L=8		*		1.00
14	WP0370316SD	WASHER 3.7X8X0.3		*		1.00
15	11959558	TABLE ASM.				1.00
16	13155403	DUST-PROOF RUBBER				4.00
17	13155106	HOLDING PLATE BOLT C				2.00
18	13155205	HOLDING PLATE BOLT D				2.00
19	13155759	CLOTH WASTE CHUTE ASM.	FOR JE			1.00
20	13155601	CLOTH WASTE CHUTE INLET		*		1.00
21	13155700	CLOTH WASTE CHUTE UPPER		*		1.00
22	13155502	CHUTE SUPPORT		*		1.00
23	SS5090610SP	SCREW 9/64-40 L=6		*		3.00
24	NS6090310SP	NUT 9/64-40		*		3.00
25	12341806	CLOTH WASTE CHUTE	FOR JE			1.00
26	13161153	FRAME SUPPORT PLATE ASM.				1.00
27	13155304	FRAME HOLDING PLATE COUPLING				1.00
28	SM9082513CF	SCREW M8 L=25				4.00
29	NM6080600SM	NUT M8				4.00
30	WP0850002SC	WASHER 8.5X18X1.6				4.00
31	SK3513200SC	WOOD SCREW D=5.1 L=32				4.00
32	11155108	DRAWER				1.00
33	11155207	DRAWER SUPPORT				2.00
34	D8204555D00	DRAWER STOPPER				1.00
35	SK3311500SC	WOOD SCREW D=3.1 L=15				6.00
36	WS1002560KR	SPRING WASHER 10X18X2.5				4.00
37	SS6090630TP	SCREW 9/64-40 L=6				5.00
38	SS5110710SP	SCREW 11/64-40 L=7	EXCEPT JE			2.00
39	WP1002036SE	WASHER 10X21X2				12.00
40	NS6240630SE	NUT 3/8-18				12.00

STAND COMPONENTS (Z/T)



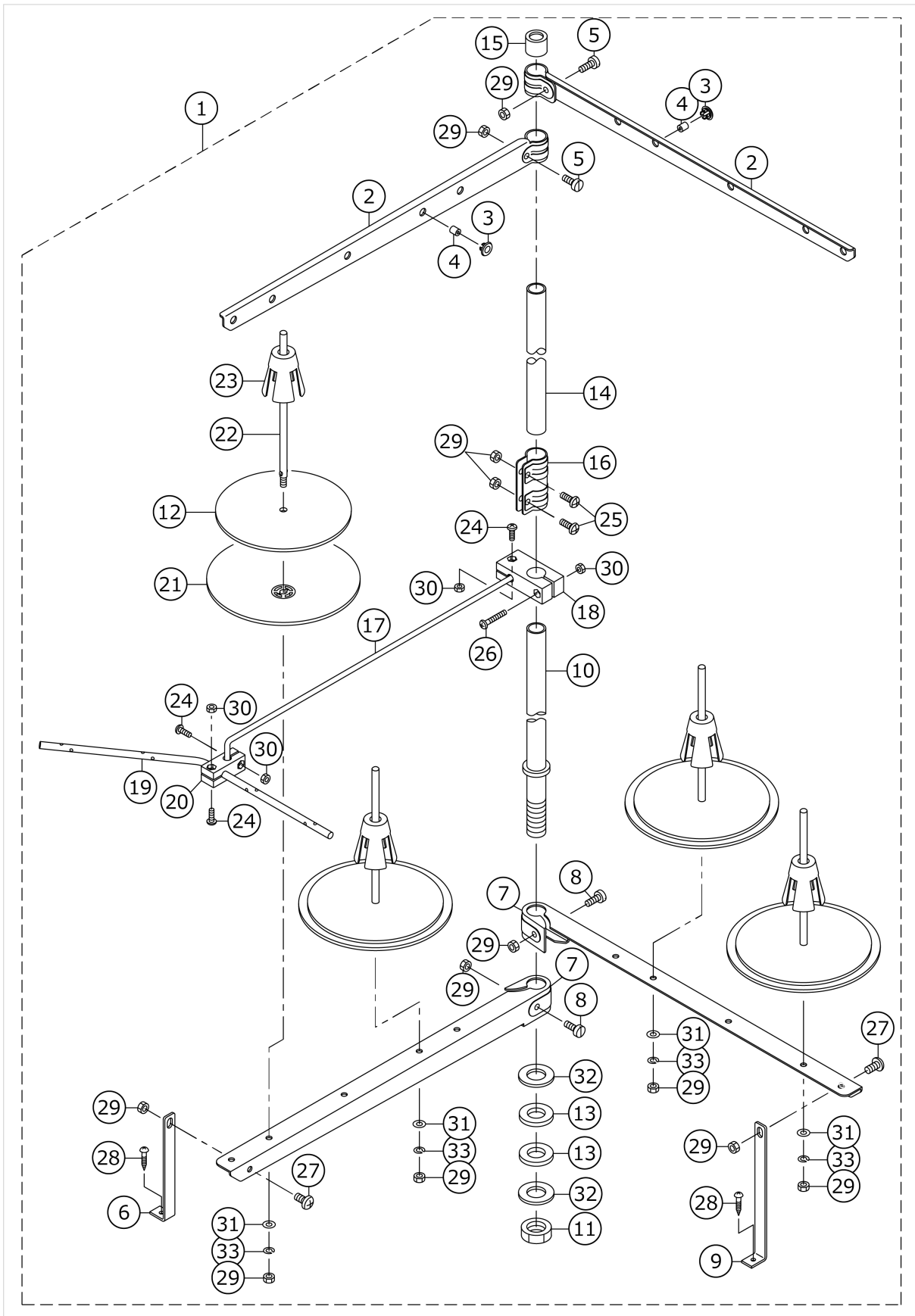
No.	品番	品名	備考	子部品	消耗品	個数
1	11960655	T STAND JUNCTION				1.00
2	11157567	T LEG JUNCTION		*		1.00
3	GPF06060000	PEDAL		*		1.00
4	GPF06070000	PEDAL MAT		*		1.00
5	GPF06080000	PEDAL ADJUSTING PLATE		*		1.00
6	11159001	PEDAL SHAFT BRACKET		*		2.00
7	D8113555B00	PEDAL BUSHING		*		2.00
8	B8153771000	PEDAL CONNECTING ROD		*		1.00
9	NM6080001SE	NUT M8		*		2.00
10	SL9082091SE	WASHER HEXAGONAL BOLT		*		2.00
11	WP0871602SE	WASHER 8.7X18X1.6		*		2.00
12	SL9061291SE	WASHER HEXAGONAL BOLT M6 L=12		*		2.00
13	11960754	T STAND JUNCTION(WITH CASTER)				1.00
14	11159365	T STAND JUNCTION		*		1.00
15	GPF06060000	PEDAL		*		1.00
16	GPF06070000	PEDAL MAT		*		1.00
17	GPF06080000	PEDAL ADJUSTING PLATE		*		1.00
18	11159001	PEDAL SHAFT BRACKET		*		2.00
19	D8113555B00	PEDAL BUSHING		*		2.00
20	B8153771000	PEDAL CONNECTING ROD		*		1.00
21	NM6080001SE	NUT M8		*		2.00
22	SL9082091SE	WASHER HEXAGONAL BOLT		*		2.00
23	WP0871602SE	WASHER 8.7X18X1.6		*		2.00
24	SL9061291SE	WASHER HEXAGONAL BOLT M6 L=12		*		2.00
25	B71140120A0	MOTOR CONNECTING ROD ASM.				1.00
26	11151065	Z LEG JUNCTION (B)				1.00
27	B81517710A0	PEDAL ASM.				1.00
28	SM9082023SE	SCREW M8 L=20		*		2.00
29	WS0861410KR	SPRING WASHER 8.6X15X1.4		*		2.00
30	WP0871602SE	WASHER 8.7X18X1.6		*		4.00
31	11151909	PEDAL SHAFT BRACKET		*		2.00
32	NM6080721SE	NUT M8		*		2.00
33	D8113555B00	PEDAL BUSHING		*		2.00
34	SM9061203SE	SCREW M6 L=12		*		2.00
35	WS0621210KR	SPRING WASHER 6.2X11.4X1.2		*		2.00
36	WP0671016SE	WASHER 6.7X13X1		*		2.00
37	11246600	PEDAL ADJUSTING PLATE		*		1.00
38	11246501	PEDAL		*		1.00
39	B8152771000	PEDAL MAT		*		1.00
40	B8153771000	PEDAL CONNECTING ROD		*		1.00

THREAD STAND COMPONENTS (FOR MO-6904R,MO-6914R)



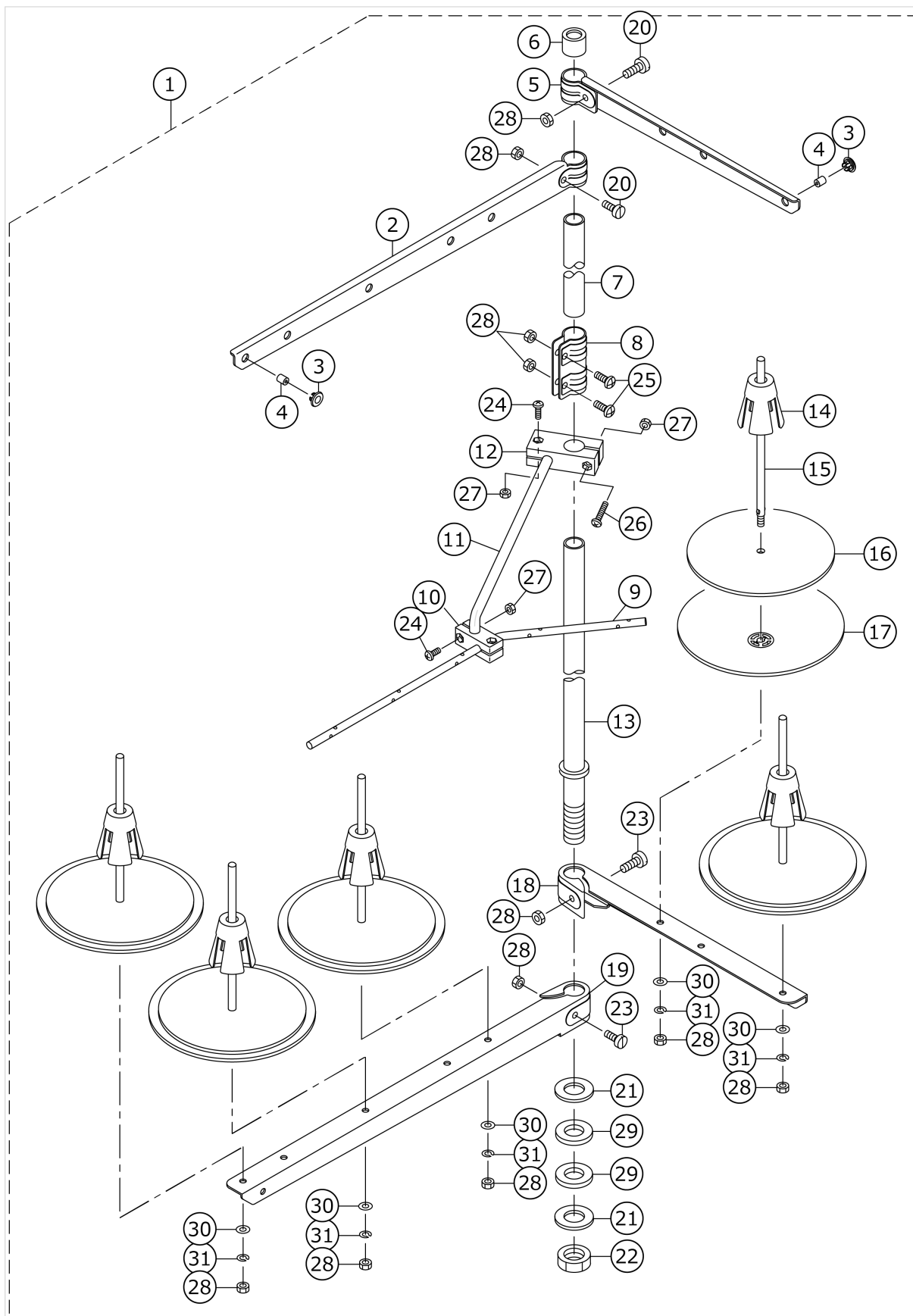
No.	品番	品名	備考	子部品	消耗品	個数
1	40106590	THREAD STAND ASM.				1.00
2	40085787	SPOOL REST ARM UPPER		*		2.00
3	40085795	THREAD GUIDE BUSHING		*		4.00
4	40085794	THREAD GUIDE		*		4.00
5	40085793	SPOOL REST ROD RUBBER CAP		*		1.00
6	40085785	SPOOL REST ROD UPPER		*		1.00
7	40085792	SPOOL REST ROD JOINT		*		1.00
8	40106582	THREAD GUIDE 4		*		1.00
9	40106580	THREAD GUIDE UNDER BASE		*		1.00
10	40106576	THREAD GUIDE ARM		*		1.00
11	40106579	THREAD GUIDE ARM BASE		*		1.00
12	40085784	SPOOL REST ROD LOWER		*		1.00
13	40085791	SPOOL RETAINER		*		4.00
14	40085790	SPOOL PIN		*		4.00
15	40085789	SPOOL REST CUSHION		*		4.00
16	40085788	SPOOL REST		*		4.00
17	40085786	SPOOL REST ARM LOWER		*		2.00
18	40096327	SPOOL REST ARM UPPER SCREW		*		2.00
19	40096326	SPOOL REST ARM LOWER SCREW		*		2.00
20	40085796	SPOOL REST ROD RUBBER CUSHION		*		2.00
21	40096325	SPOOL REST ROD NUT		*		1.00
22	SM4041201SC	SCREW M4 L=12		*		3.00
23	SM4042501SC	SCREW M4X0.7 L=25		*		1.00
24	SM4051405SE	SCREW M5 L=14		*		2.00
25	NM6040002SC	NUT M4		*		4.00
26	NM6050001SE	NUT M5		*		10.00
27	WP1612616SE	WASHER 16X30X2.6		*		2.00
28	WP0531001SC	WASHER M5		*		4.00
29	WS0510002KN	SPRING WASHER M5		*		4.00

THREAD STAND COMPONENTS (MO-6904R,MO-6914R SPECIAL ORDER PARTS)



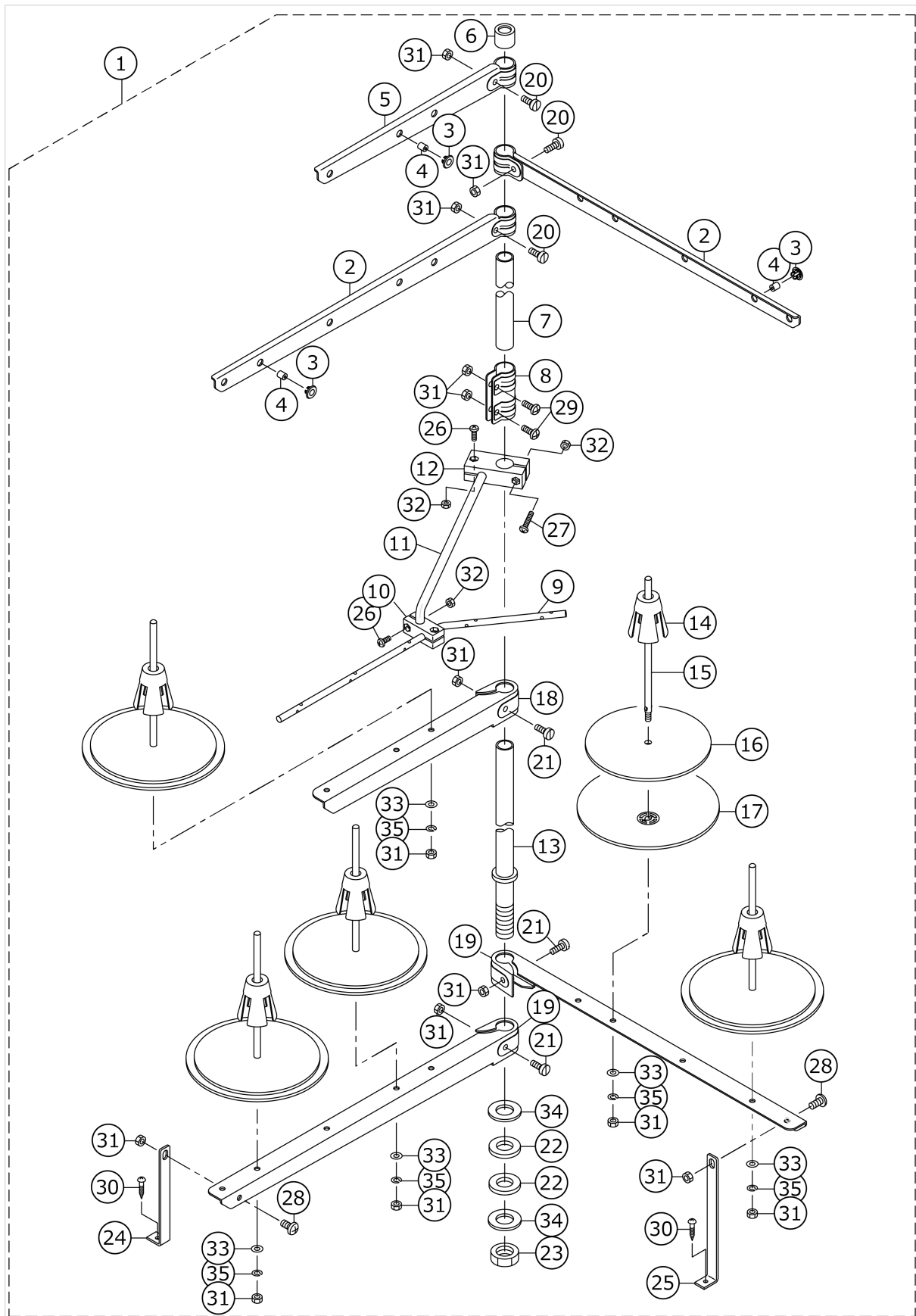
No.	品番	品名	備考	子部品	消耗品	個数
1	40106593	THREAD STAND ASM.				1.00
2	40106575	SPOOL REST LONG ARM UPPER		*		2.00
3	40085795	THREAD GUIDE BUSHING		*		4.00
4	40085794	THREAD GUIDE		*		4.00
5	40096327	SPOOL REST ARM UPPER SCREW		*		2.00
6	40106577	SPOOL REST ARM LOWER A		*		1.00
7	40106574	SPOOL REST LONG ARM LOWER		*		2.00
8	40096326	SPOOL REST ARM LOWER SCREW		*		2.00
9	40106578	SPOOL REST ARM LOWER B		*		1.00
10	40085784	SPOOL REST ROD LOWER		*		1.00
11	40096325	SPOOL REST ROD NUT		*		1.00
12	40085789	SPOOL REST CUSHION		*		4.00
13	40085796	SPOOL REST ROD RUBBER CUSHION		*		2.00
14	40085785	SPOOL REST ROD UPPER		*		1.00
15	40085793	SPOOL REST ROD RUBBER CAP		*		1.00
16	40085792	SPOOL REST ROD JOINT		*		1.00
17	40106576	THREAD GUIDE ARM		*		1.00
18	40106579	THREAD GUIDE ARM BASE		*		1.00
19	40106582	THREAD GUIDE 4		*		1.00
20	40106580	THREAD GUIDE UNDER BASE		*		1.00
21	40085788	SPOOL REST		*		4.00
22	40085790	SPOOL PIN		*		4.00
23	40085791	SPOOL RETAINER		*		4.00
24	SM4041201SC	SCREW M4 L=12		*		3.00
25	SM4051405SE	SCREW M5 L=14		*		2.00
26	SM4042501SC	SCREW M4X0.7 L=25		*		1.00
27	SM4051001SE	SCREW M5 L=10		*		2.00
28	SK3412001SE	WOOD SCREW D=4.1 L=20		*		2.00
29	NM6050001SE	NUT M5		*		12.00
30	NM6040002SC	NUT M4		*		4.00
31	WP0531001SC	WASHER M5		*		4.00
32	WP1612616SE	WASHER 16X30X2.6		*		2.00
33	WS0510002KN	SPRING WASHER M5		*		4.00

THREAD STAND COMPONENTS (FOR MO-6916R)



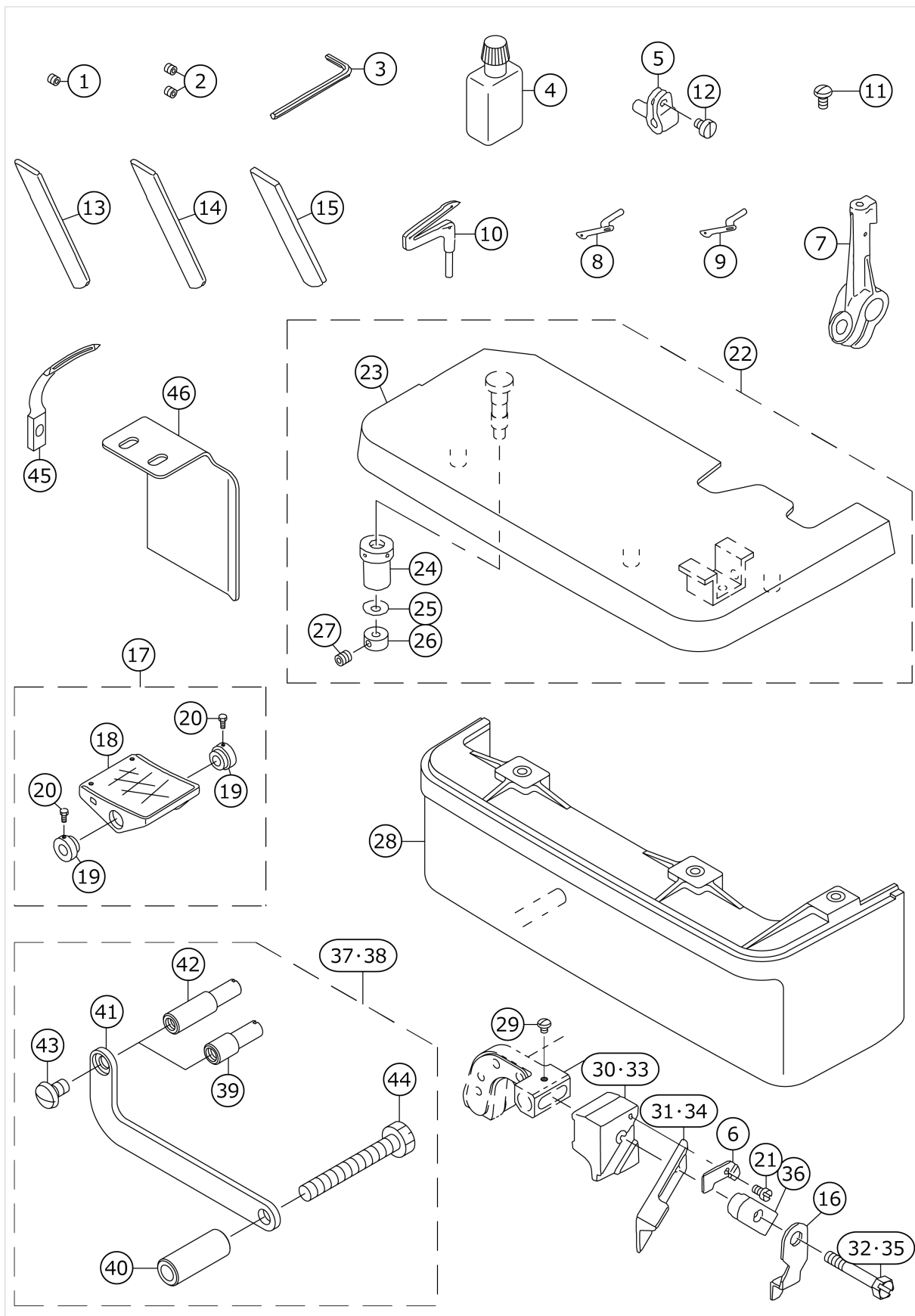
No.	品番	品名	備考	子部品	消耗品	個数
1	40106591	THREAD STAND ASM.				1.00
2	40106575	SPOOL REST LONG ARM UPPER		*		1.00
3	40085794	THREAD GUIDE		*		5.00
4	40085795	THREAD GUIDE BUSHING		*		5.00
5	40085787	SPOOL REST ARM UPPER		*		1.00
6	40085793	SPOOL REST ROD RUBBER CAP		*		1.00
7	40085785	SPOOL REST ROD UPPER		*		1.00
8	40085792	SPOOL REST ROD JOINT		*		1.00
9	40106581	THREAD GUIDE 5		*		1.00
10	40106580	THREAD GUIDE UNDER BASE		*		1.00
11	40106576	THREAD GUIDE ARM		*		1.00
12	40106579	THREAD GUIDE ARM BASE		*		1.00
13	40085784	SPOOL REST ROD LOWER		*		1.00
14	40085791	SPOOL RETAINER		*		5.00
15	40085790	SPOOL PIN		*		5.00
16	40085789	SPOOL REST CUSHION		*		5.00
17	40085788	SPOOL REST		*		5.00
18	40085786	SPOOL REST ARM LOWER		*		1.00
19	40106574	SPOOL REST LONG ARM LOWER		*		1.00
20	40096327	SPOOL REST ARM UPPER SCREW		*		2.00
21	40085796	SPOOL REST ROD RUBBER CUSHION		*		2.00
22	40096325	SPOOL REST ROD NUT		*		1.00
23	40096326	SPOOL REST ARM LOWER SCREW		*		2.00
24	SM4041201SC	SCREW M4 L=12		*		3.00
25	SM4051405SE	SCREW M5 L=14		*		2.00
26	SM4042501SC	SCREW M4X0.7 L=25		*		1.00
27	NM6040002SC	NUT M4		*		4.00
28	NM6050001SE	NUT M5		*		11.00
29	WP1612616SE	WASHER 16X30X2.6		*		2.00
30	WP0531001SC	WASHER M5		*		5.00
31	WS0510002KN	SPRING WASHER M5		*		5.00

THREAD STAND COMPONENTS (MO-6916R SPECIAL ORDER PARTS)



No.	品番	品名	備考	子部品	消耗品	個数
1	40106604	THREAD STAND ASM.				1.00
2	40106575	SPOOL REST LONG ARM UPPER		*		2.00
3	40085794	THREAD GUIDE		*		5.00
4	40085795	THREAD GUIDE BUSHING		*		5.00
5	40085787	SPOOL REST ARM UPPER		*		1.00
6	40085793	SPOOL REST ROD RUBBER CAP		*		1.00
7	40085785	SPOOL REST ROD UPPER		*		1.00
8	40085792	SPOOL REST ROD JOINT		*		1.00
9	40106581	THREAD GUIDE 5		*		1.00
10	40106580	THREAD GUIDE UNDER BASE		*		1.00
11	40106576	THREAD GUIDE ARM		*		1.00
12	40106579	THREAD GUIDE ARM BASE		*		1.00
13	40085784	SPOOL REST ROD LOWER		*		1.00
14	40085791	SPOOL RETAINER		*		5.00
15	40085790	SPOOL PIN		*		5.00
16	40085789	SPOOL REST CUSHION		*		5.00
17	40085788	SPOOL REST		*		5.00
18	40085786	SPOOL REST ARM LOWER		*		1.00
19	40106574	SPOOL REST LONG ARM LOWER		*		2.00
20	40096327	SPOOL REST ARM UPPER SCREW		*		3.00
21	40096326	SPOOL REST ARM LOWER SCREW		*		3.00
22	40085796	SPOOL REST ROD RUBBER CUSHION		*		2.00
23	40096325	SPOOL REST ROD NUT		*		1.00
24	40106577	SPOOL REST ARM LOWER A		*		1.00
25	40106578	SPOOL REST ARM LOWER B		*		1.00
26	SM4041201SC	SCREW M4 L=12		*		3.00
27	SM4042501SC	SCREW M4X0.7 L=25		*		1.00
28	SM4051001SE	SCREW M5 L=10		*		2.00
29	SM4051405SE	SCREW M5 L=14		*		2.00
30	SK3412001SE	WOOD SCREW D=4.1 L=20		*		2.00
31	NM6050001SE	NUT M5		*		15.00
32	NM6040002SC	NUT M4		*		4.00
33	WP0531001SC	WASHER M5		*		5.00
34	WP1612616SE	WASHER 16X30X2.6		*		2.00
35	WS0510002KN	SPRING WASHER M5		*		5.00

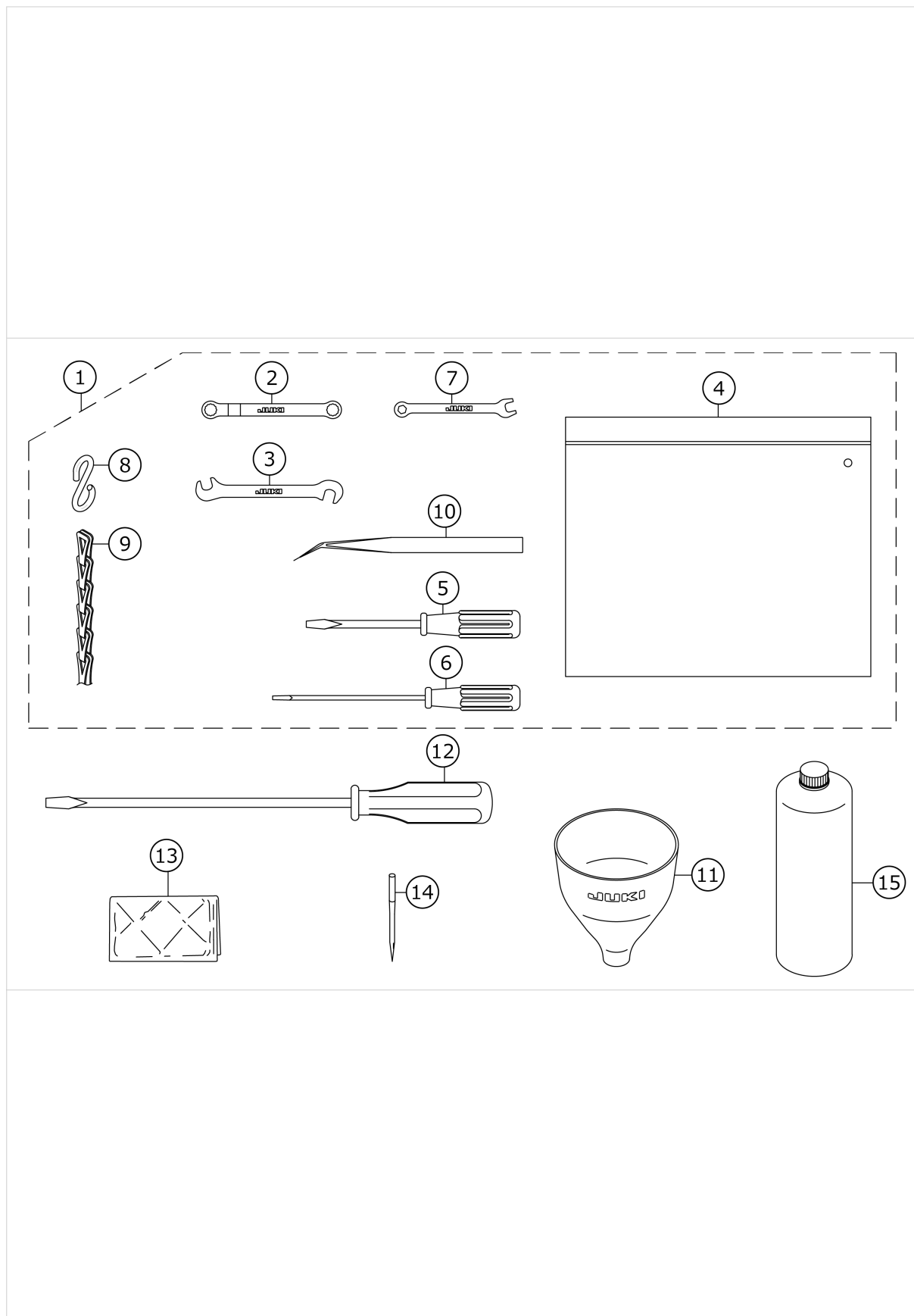
SPECIAL ORDER PARTS COMPONENTS



No.	品番	品名	備考	子部品	消耗品	個数
1	SS8080322TP	SCREW 1/8-44 L=3.2	FOR MO-6904R			1.00
2	SS8080322TP	SCREW 1/8-44 L=3.2	FOR MO-6914R,MO-6916R			2.00
3	B9112804000	SPANNER				1.00
4	B91351230B0	SILICON OIL LUBRICANT (30CC)				1.00
5	11544707	UPPER LOOPER SUPPORT ARM				1.00
6	11565702	WASHER				1.00
7	12123709	LOWER LOOPER SUPPORT ARM				1.00
8	B2519804000	UPPER LOOPER	FOR MO-6904R,MO-6916R			1.00
9	B2519814000	UPPER LOOPER	FOR MO-6914R			1.00
10	B2521804000	LOWER LOOPER				1.00
11	SS4080620TP	SCREW 1/8-44 L=6	FOR MO-6904R,MO-6914R			1.00
12	SS6080410SP	SCREW 1/8-44 L=4				1.00
13	11847605	LOWER KNIFE				1.00
14	11964509	CERAMIC LOWER KNIFE				1.00
15	11992005	LOWER KNIFE				1.00
16	11848405	UPPER KNIFE COVER				1.00
17	11965753	PEDAL ASM.				1.00
18	11965704	PEDAL		*		1.00
19	11965803	PEDAL THRUST COLLAR		*		2.00
20	SM9061203SE	SCREW M6 L=12		*		2.00
21	SS4060310SP	SCREW 3/32-56 L=2.5				1.00
22	12105458	CLOTH PLATE ASM.	FOR MO-6916R			1.00
23	12104550	CLOTH PLATE ASM.		*		1.00
24	11501301	ECCENTRIC BUSHING		*		1.00
25	WZ0420350KP	DISC SPRING		*		1.00
26	CS0400671SD	THRUST HOLDER		*		1.00
27	SM8040302TP	SETSCREW		*		1.00
28	11949104	CLOTH BASE COVER	FOR MO-6916R			1.00
29	SS4060310SP	SCREW 3/32-56 L=2.5				1.00
30	11598000	UPPER KNIFE SUPPORT	FOR MO-6904R,MO-6914R			1.00
31	11845807	UPPER KNIFE	FOR MO-6904R,MO-6914R			1.00
32	SS9111610SP	SCREW 11/64-40 L=16	FOR MO-6904R,MO-6914R			1.00
33	11845500	UPPER KNIFE SUPPORT	FOR MO-6916R			1.00
34	11845906	UPPER KNIFE	FOR MO-6916R			1.00
35	SS9112310SP	SCREW 11/64-40 L=23	FOR MO-6916R			1.00
36	11565504	UPPER KNIFE PRESSER PLATE	FOR MO-6916R			1.00
37	40011755	SYNCHRONIZER TURN STOPPER ASM.	FOR SC-380			1.00
38	40025294	SYNCHRONIZER STOPPER ASM.				1.00
39	40011756	SYNCHRONIZER STOPPER	FOR SC-380	*		1.00
40	40011758	SYNCHRONIZER BASE COLLAR		*		1.00
41	40011757	SYNCHRONIZER STOPPER BASE		*		1.00
42	40022255	SYNCHRONIZER STOPPER		*		1.00
43	SS5120810SP	SCREW		*		1.00
44	SS9154540SP	SCREW 15/64-28 L=45		*		1.00

45	12120713	CHAIN LOOPER	FOR MO-6916R			1.00
46	40036778	V_BELT SLIDER				1.00

ACCESSORIES PARTS COMPONENTS



No.	品番	品名	備考	子部品	消耗品	個数
1	13160858	ACCESSORIE BAG ASM.				1.00
2	13160007	RING SPANNER		*		1.00
3	13160205	PIN SPANNER		*		1.00
4	22932800	ACCESSORIE BAG		*		1.00
5	22933105	SCREW DRIVER MIDDLE		*		1.00
6	12347308	SCREW DRIVER (SMALL)		*		1.00
7	13160106	SPANNER (5X6)		*		1.00
8	13160304	S SHAPED HOOK		*		2.00
9	13160403	CHAIN		*		1.00
10	12288403	TWEEZERS		*		1.00
11	13160601	FUNNEL				1.00
12	22933006	SCREW DRIVER LARGE				1.00
13	40048535	HEAD_COVER				1.00
14	MDC270B1104	NEEDLE DCX27 #11-4EA.				1.00
15	MML018800CB	JUKI CORPORATION GENUINE OIL 18				1.00

HOW TO MAKE USE OF THIS PARTS LIST

1.Explanation of codes

1)"*"mark.....means this part is changed from the previous parts book.

As to the details of the change, refer to the "List for information of change".

2)"#01".....refer to "Note" explanation at bottom of page.

2.Codes on the "Qty" column

· Each numeral indicates the number of parts required.

· "0.1" and "2.5" indicate the length (in meters) of the respective parts.

3.Parentheses mean that the corresponding part is a subpart that constructs an assembly part.

4.Dotted lines on the Figures indicate assembly parts.

1."注記"欄の記号説明

1) "*"印.....前回のパーツブックに比較して今回変更された部品を意味します。

変更内容は、"変更情報リスト"を参照してください。

2) "#01".....ページ下の"注記"の説明を参照してください。

2.数量欄の数字は、個数を表し、0.1、2.5等の数値は、長さ（単位メートル）を表します。

3.数量欄の（ ）は、組部品を構成している子部品であることを意味します。

4.イラストページの-----枠は、組構成であることを意味します。